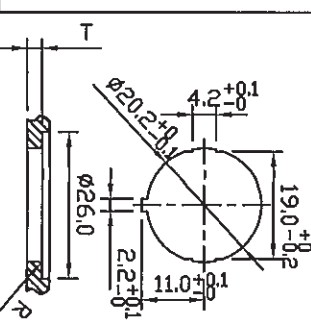
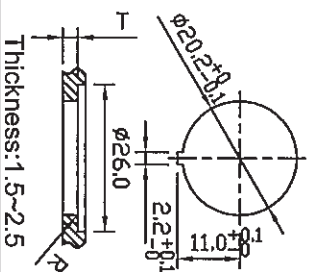
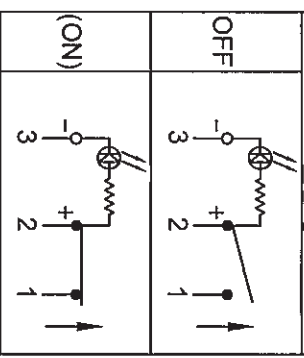


Rating	10A 28VDC
Contact Resistance	50m ohm Max.
Insulation Resistance	DC 500V 100M ohm Min.
Dielectric Strength	AC 1500V 1 minute
Operation Temperature	-20°~85°
Switch Function	3P SPST (ON)-OFF (LED dependent)

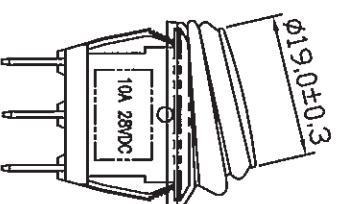
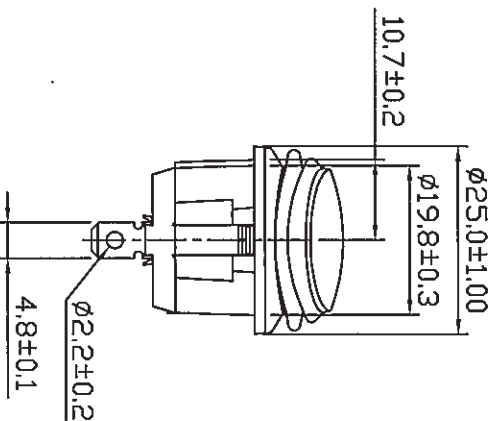
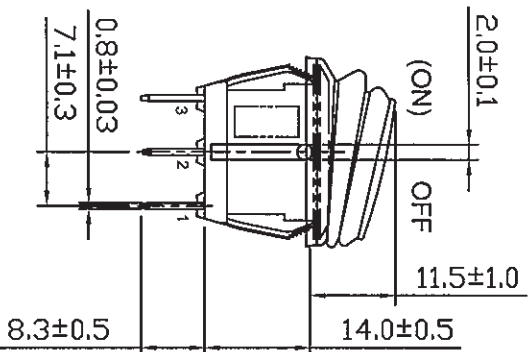
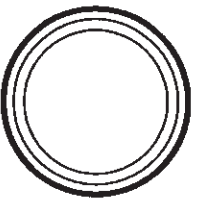
Mounting Hole



Circuit Diagram



*MATERIAL:
 Frame: Black, Nylon 66 (94-V2)
 Actuator: Red clear, PC (94-V2)
 Waterproof rubber: Silicone
 Terminals: Silver plated, Copper alloy
 Hot Stamping: None
 Waterproof: IP65
 LED color: Red



C81R13/R13-112B8F-02

Date	Name	Description		NO
Drawn	Checked	Approved	SCI BOM NO.	Model Name
曹盈芳		王伯山	18ZT839	ROCKER SWITCH
02/12/14		2/12/14	Unit	Model No.
			mm	R13-112B8F-02
				Rev.
				0

Shin Chin Industrial Co., Ltd.