

REV.	DESCRIPTION	DRAWN	CHECKED	APPROVED
A	NEW RELEASE	YCH 08/17/07'	~	

NOTES:

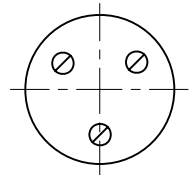
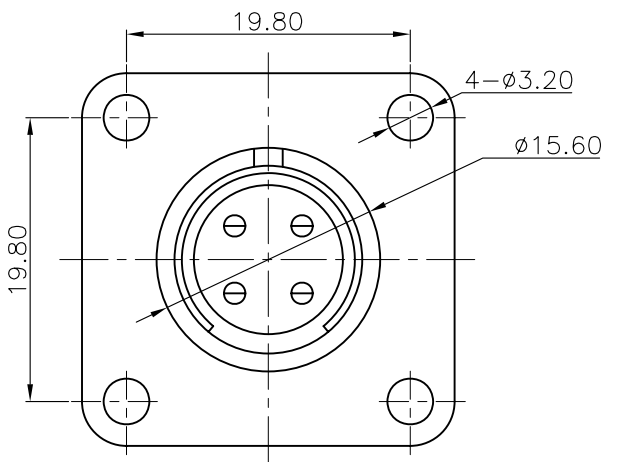
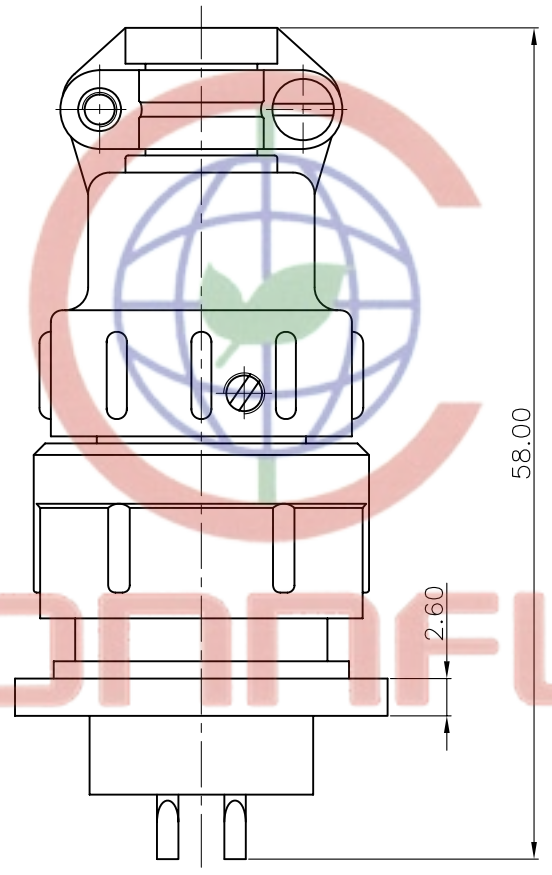
1.SPECIFICATION

- .CURRENT RATING: 5A Max.
- .DIELECTRIC WITH STANDING VOLTAGE: 500V(AC)
- .CONTACT RESISTANCE: 100mΩ Max.
- .INSULATION RESISTANCE: 1000MΩ(DC)Min.

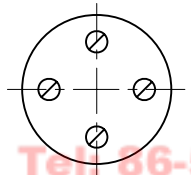
2.PRODUCT NUMBER CODE:

DS1110-06 - X X X X

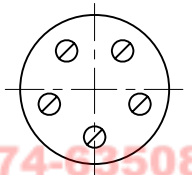
- SHELL SURFACE FINISHED
P:SPRAY THE PAINT (GRAY)
- CONTACT PLATING
Y: SILVER
- COLOR OF HOUSING:
L: BLUE
- No. OF CONTACTS
03: 3pin 07: 7pin
04: 4pin 09: 9pin
05: 5pin



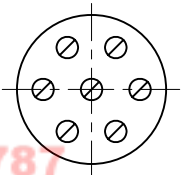
3pin



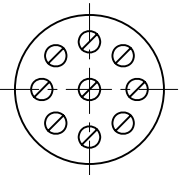
4pin



5pin



7pin



9pin

GENERAL TOLERANCE		ANGLE TOLERANCE		PROJECTION		TITLE		
X.	±0.60	X.	±5°	UNITS	mm	MICRO JACK CONNECTOR		
.X	±0.38	.X	±3°	SHEET SIZE	A4	SERIES DS1110-06 SERIES		
.XX	±0.25	.XX	±2°	晨翔电子有限公司 CONNFLY CONNFLY ELECTRONIC CO. LTD				
DRAWING TYPE	CUSTOMER							
SCALE	1:1	SHEET	1 OF 1					
DRAWING NO.	C-DS1110-06-XXX							

Tel: 86-574-83508781
Fax: 86-574-83510817

E-mail: sales@connfly.com.cn
<http://www.connfly.com.cn>
 Add: West Lake, Gaoqiao, Cixi, Ningbo, China
 P.C.: 315321