

Surface mounting terminal shield boxes

2 to 6 modules



IP 30
 Self extinguishing: 650° C
 Supplied without terminal blocks
 Class II
 White RAL 9003
 Covers can be sealed
 Allows to achieve assemblies conform to IEC 61439-3

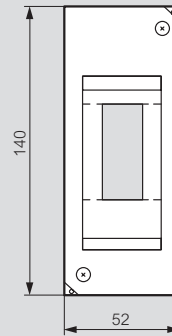
Pack	Cat.Nos	Terminal shield boxes	Capacity in 17.5 mm modules	Dimensions (mm) Height x Width x Thickness
50	0 013 56	2 modules	2 modules	140 x 52 x 68
30	0 013 57	4 modules	4 modules	140 x 87 x 68
20	0 013 58	6 modules	6 modules	140 x 130 x 68

Surface mounting terminal shield boxes

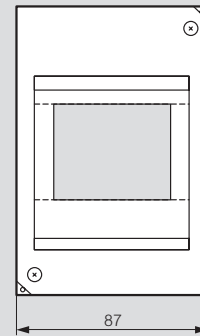
technical characteristics

Dimensions

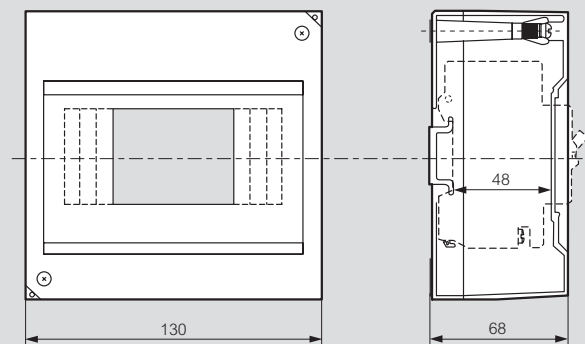
2 modules



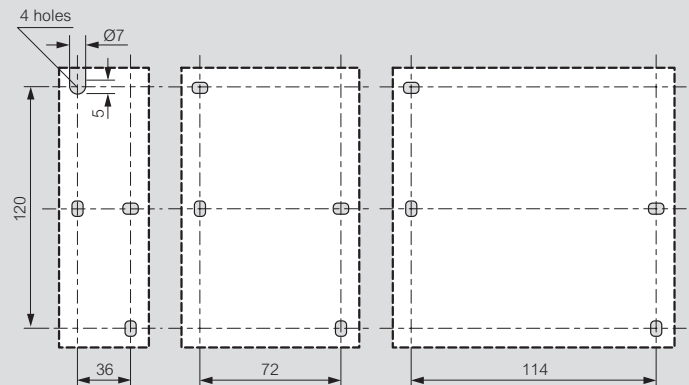
4 modules



6 modules



Mounting



Cross reference list old ranges / Practibox S

Version	Capacity in number of modules	Practibox	Old ranges			New range	
			Nedbox	Surface mounting British standard consumer units		Practibox S (p. 216 - 217)	
				without door	white door	smoked door	white door
Flush-mounting	6	6 011 10				-	-
	8	6 011 11				1 340 08	1 340 18
	1 x 12	6 011 12				1 350 01	1 350 11
	2 x 12	6 011 13				1 350 02	1 350 12
	3 x 12	6 011 14				1 350 03	1 350 13
Surface mounting	8		6 012 40			1 341 08	1 341 18
	1 x 12		6 012 41			1 351 01	1 351 11
	2 x 12		6 012 42			1 351 02	1 351 12
	3 x 12		6 013 43			1 351 03	1 351 13
	4 x 12		6 012 44			1 351 04	1 351 14
	4			6 075 68		1 342 04	1 342 14
	8			6 075 61		1 342 08	1 342 18
	1 x 12			6 075 80	6 075 81	1 352 01	1 352 11
	1 x 16			6 075 82	6 075 83	-	-
	1 x 22			6 075 84	6 075 85	1 372 05	1 372 15