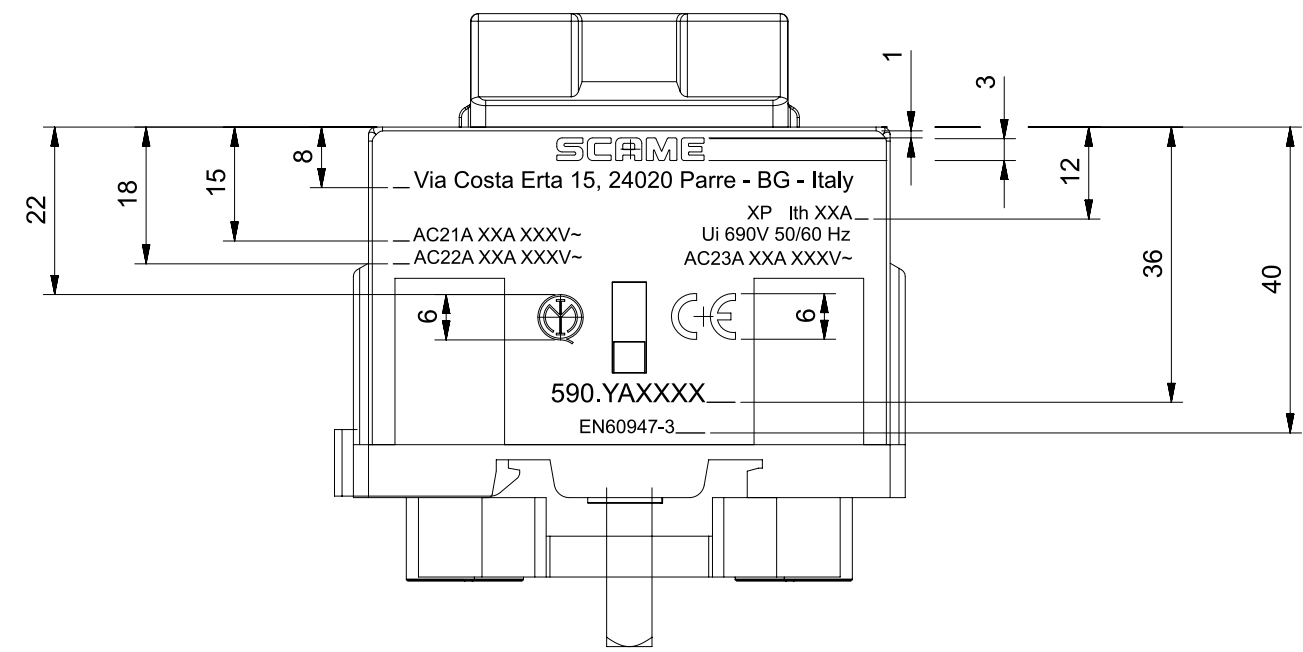
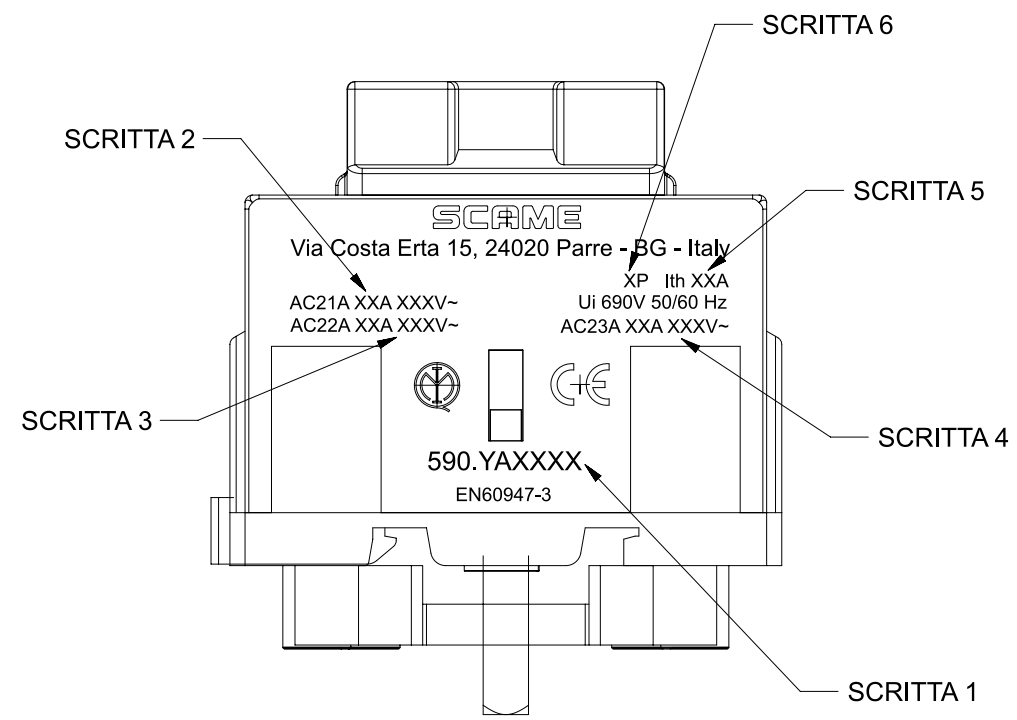


<p>At the end of the law, we reserve the ownership of this design may not be copied and transfer it to third parties or competitors</p> <p>SCAME S.p.A. PARRE - (Bergamo)</p>	Format	A4O	Scale	1:1	Mould N°	1000XXXX	Drawn	SCAME	
	Tolerances for linear and angular dimensions without indication of specific tolerances: JS13 / UNI 286-1:2010							Date	
	DESCRIPTION						CODE	Sheet 1 / 2	
FRUTTO INTERRUPTORE 63-100A 3P RETROQ.						4003153			



CARATTERI: UTILIZZARE CARATTERI ARIAL, TRANNE CHE PER SCAME CHE E' UN DISEGNO.
 TUTTE LE SCRITTE NON QUOTATE HANNO ALTEZZA 2,5 mm TRANNE L'INDIRIZZO (2,2 mm) E EN60947-3 (1,8 mm)

SCRITTA 1	SCRITTA 2	SCRITTA 3	SCRITTA 4	SCRITTA 5	SCRITTA 6
590.YA633R	AC21A 63 A 690 V~	AC22A 63 A 690 V~	AC23A 63 A 415 V~	63 A	3P
590.YA803R	AC21A 80 A 690 V~	AC22A 80 A 690 V~	AC23A 67 A 415 V~	80 A	3P

LASERATURE DATI DI TARGA

At the end of the law, we reserve the ownership of this design may not be copied and transfer it to third parties or competitors	Format	A3	Scale	1:1	Mould N°	1000XXXX	Drawn	SCAME
	Tolerances for linear and angular dimensions without indication of specific tolerances: JS13 / UNI 286-1:2010							Date
 S.p.A. PARRE - (Bergamo)	DESCRIPTION						Approved	
	FRUTTO INTERRUTTORE 63-100A 3P RETROQ.						CODICE Sheet 2 / 2	
						4003153		