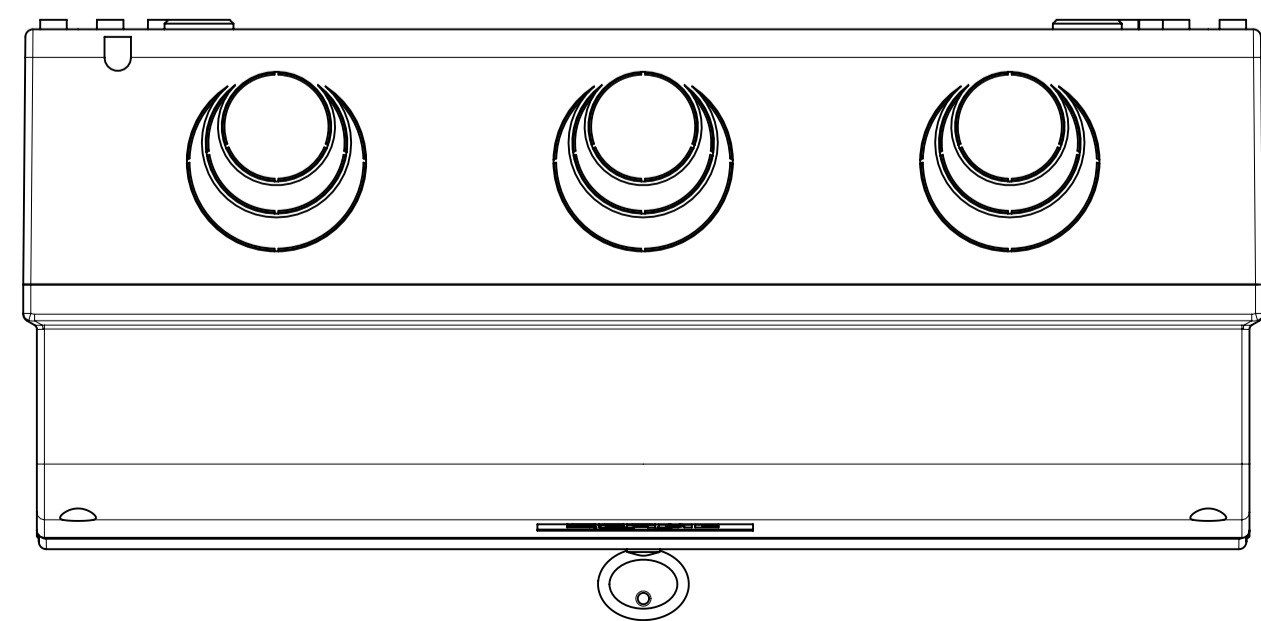


Sezione A-A



At the end of the law, we reserve the ownership of this design may not be copied and transfer it to third parties or competitors	Format	A1	Scale	1:1	Mould N°	1000XXXX	Drawn	SCAME	
	Tolerances for linear and angular dimensions without indication of specific tolerances: JS13 / UNI 286-1:2010							Date	gg-mm-aaaa
<b>SCAME</b> S.p.A. PARRE - (Bergamo)	DESCRIPTION							Approved	
	CENTRALINO DOMINO IP66 328X400 32 MODULI							CODE	4004205
								Sheet	1 / 1