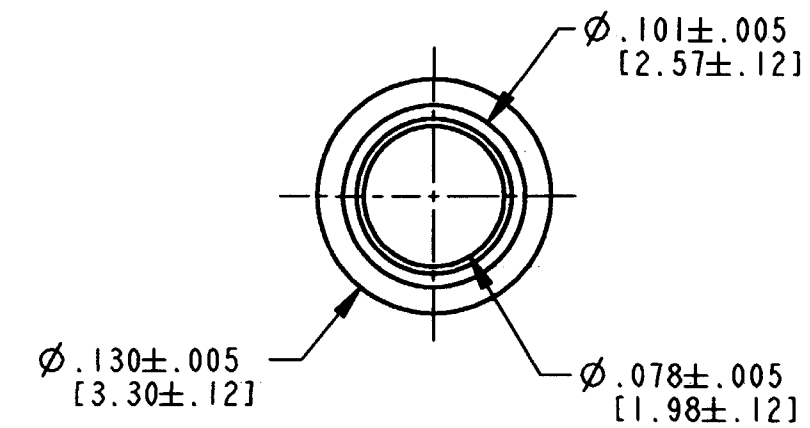
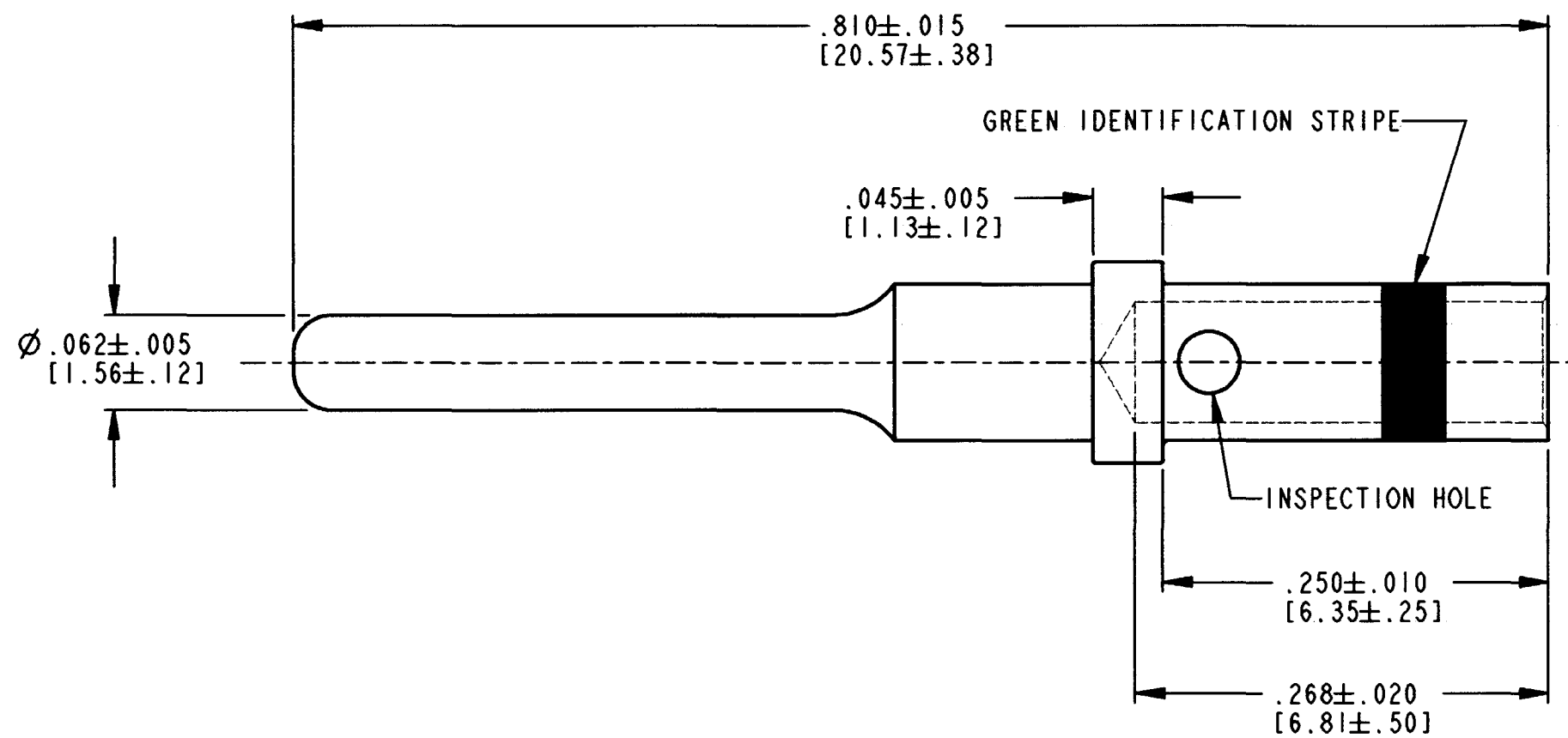


REV  
D 0460-215-16\*\*

| REVISIONS |                          |          |          |
|-----------|--------------------------|----------|----------|
| SYM       | DESCRIPTION              | DATE     | APPROVED |
| A         | REVISED PER E.O. A 14776 | 2/6/95   | RDR      |
| B         | REVISED PER E.O. P15649  | 6/16/98  | RDR      |
| C         | REVISED PER E.O. P16308  | 10/04/99 | RDR      |
| D         | REVISED PER E.O. P16742  | 6-23-00  | RDR      |



4. FOR CONTACT PERFORMANCE AND APPLICATION INFORMATION SEE DWG. NO. 0425-015-0000.

3. WHEN \*\* = 31, PLATING IS GOLD OVER NICKEL  
 \*\* = 141, PLATING IS NICKEL.

2. DIMENSIONS ARE IN INCHES [mm].

NOTES: 1. FOR CRIMPING INFORMATION SEE DRAWING 0425-205-0000.

| SIGNATURE & DATE |                            |
|------------------|----------------------------|
| DR               | D. SPENCER 02OCT99         |
| CHK              | <i>[Signature]</i> 6/23/01 |
| PE               | <i>[Signature]</i> 6/23/00 |
| APPD             | <i>[Signature]</i> 6/23/00 |
| SCALE            | NONE                       |

CONTACT, PIN  
 SIZE 16  
 14 AWG WIRE  
 [2.00mm<sup>2</sup>]  
 ENVELOPE

| CP  | MATL. CODE              |
|---|-------------------------|
| <b>The Deutsch Company</b><br>DEUTSCH I.P.D.<br>3850 INDUSTRIAL AVE.<br>HEMET, CALIF. 92545 |                         |
| <b>B 0460-215-16**</b>  |                         |
| DWG SIZE  | CODE 11139 SHEET 1 OF 1 |