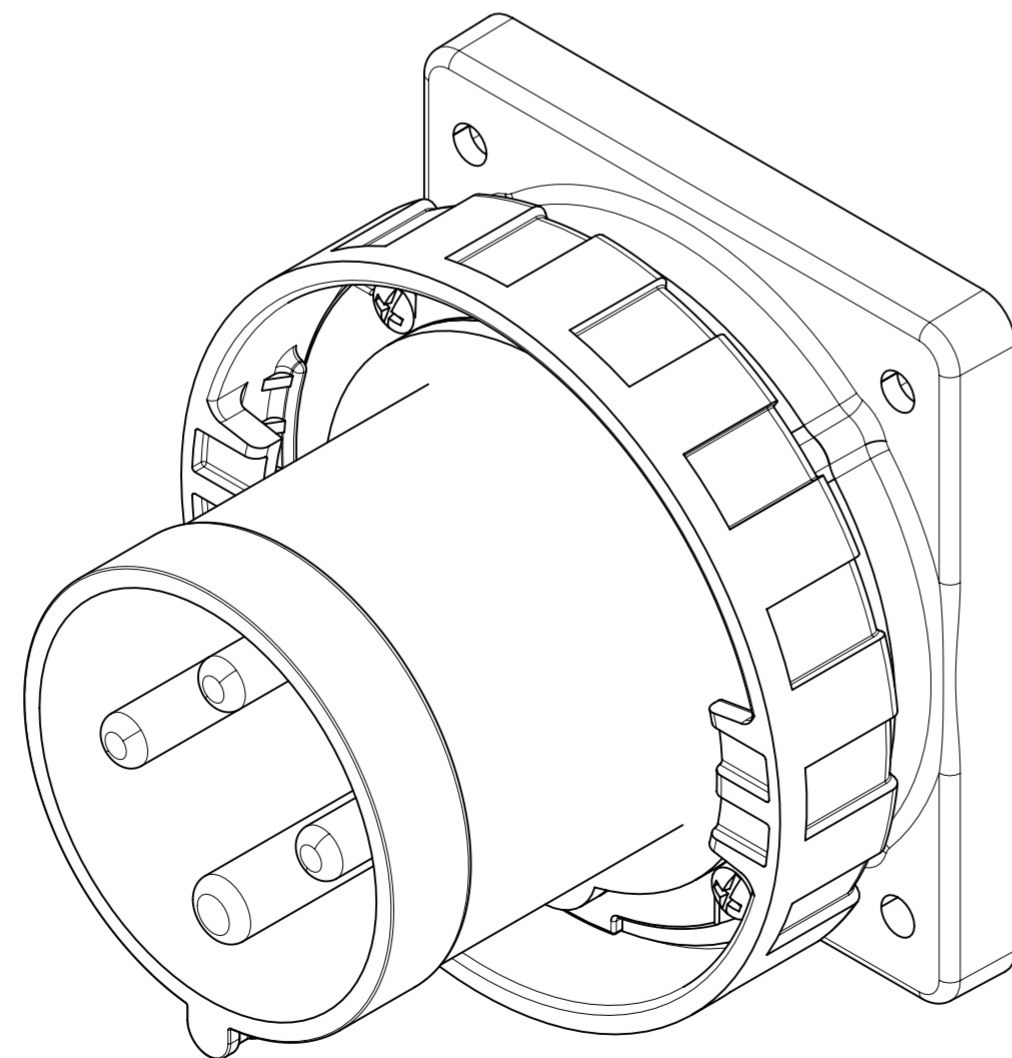


DIAMETRO DI FORATURA PANNELLO  
PANEL DRILLING HOLE



IL DISEGNO SI RIFERISCE ALLA POSIZIONE 6H  
DWG REFERS TO CLOCK POSITION 6H

<p>At the end of the law, we reserve the ownership of this design may not be copied and transfer it to third parties or competitors</p> <p><b>SCAME</b> S.p.A. PARRE - (Bergamo)</p>	Format	A2	Scale	1:1	Mould N°	1000XXXX	Drawn	SCAME	
	Tolerances for linear and angular dimensions without indication of specific tolerances: JS13 / UNI EN20286							Date	
	DESCRIPTION							Approved	
<p><b>SPINA INCASSO 3P+T 63A OPTIMA IP67</b></p>							<p>CODICE Sheet 1 / 1</p> <p><b>4000668</b></p>		