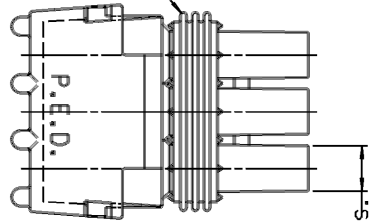
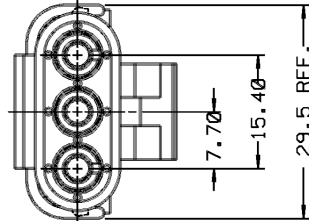


THIS DRAWING AND DESIGN HEREON CON-
TAIN THE PROPRIETARY INFORMATION OF
PACKARD ELECTRIC DIVISION AND IS NOT
TO BE DUPLICATED OR REPRODUCED WITH-
OUT THE AUTHORITY OF PACKARD ELECTRIC
DIVISION. DO NOT SCALE.

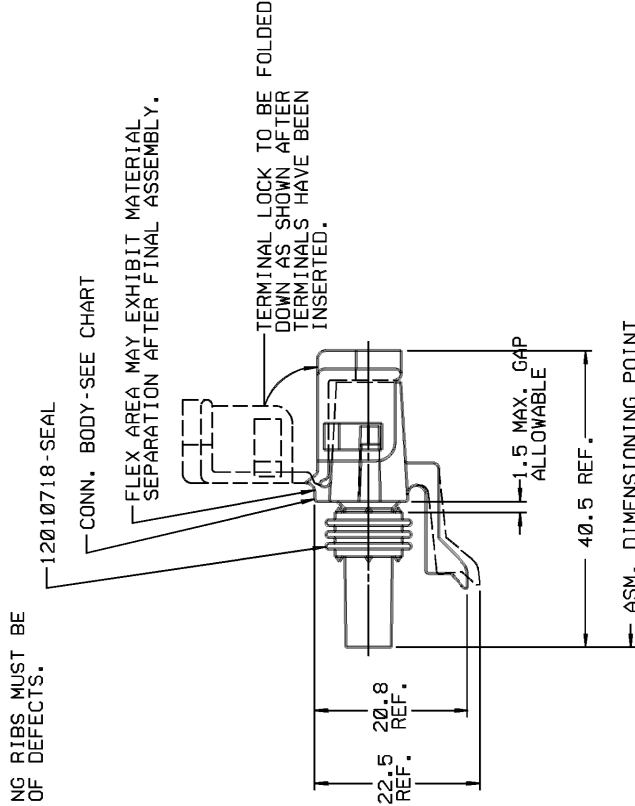


6.15 DIA. - 3 PLCS.



INDEX CODE
-101-

(ALSO SEE HANDBOOK)



NOTES

- UNLESS OTHERWISE SPECIFIED AND/OR INDICATED:
DIMENSIONS ARE TO FACE OF VIEW SHOWN AND AUTOMATICALLY ROUNDED BY COMPUTER FOR INSPECTION (SEE MATH MODEL FOR PRECISE DIMENSIONS). FOR ALL OTHER DIMENSIONS NOT SHOWN BUT REQUIRED FOR TOOL BUILD, SEE MATH MODEL FOR PRECISE TOOL PATH DATA.
USE FEMALE TERMINAL 12089188 OR EQUIVALENT FOR "IN-LINE" APPLICATIONS. USE MALE TERMINAL 12089040 OR EQUIVALENT FOR "PANEL MOUNT" APPLICATIONS.
USE CABLE SEAL 12015323 OR EQUIVALENT.
MATING CONNECTOR - SEE CHART.
WHEN PARTS ARE SHIPPED THEY MUST BE PACKED IN PLASTIC BAGS OR SHIPPING CONTAINERS MUST BE LINED WITH PLASTIC LINERS. BAGS OR LINERS MUST BE SEALED TO AVOID FOREIGN MATTER.
- SEALING CODE 3 - DESIGN WILL PASS SALT FOG AND IMMERSION TEST AFTER CONDITIONING AS SPECIFIED IN ESA-644 (WEATHER-PACK) ESA-710 (METRI-PACK), ESA-650 (UNDERHOOD MICRO-PACK) C-4006 (WORLD CONNECTOR), ETC WHEN MATED TO MATING PART OR EQUIVALENT.
- THIS PRODUCT IS NOT CATEGORIZED AS AN APPEARANCE ITEM. MINOR IMPERFECTIONS INCLUDING, BUT NOT LIMITED TO, FLOW MARKS, COLOR BLEMISHES, GATE VESTIGE, AND SOFT FLASH THAT DO NOT AFFECT THE FIT, FORM, OR FUNCTION OF THE PART ARE PERMISSIBLE PER DNP-4.7-CS-01.
- WHEN DESIGNING A PART TO MATE TO THIS WEATHER PACK CONNECTOR, REQUEST THE LATEST COPY OF DRAWING NUMBER 12020084 FROM THE PACKARD ELECTRIC DIVISION.



PART NUMBER	REV	STATUS	CONNECTOR BODY	STANDARD DESCRIPTION	APPLICATION	REFERENCE TERMINAL/GENDER	MATING CONN.
12040691	A1	OBSOLETE	12040686	ASM CONN 3F	SIR IN-LINE	12089188-FEMALE	
12020737	A		12020731	ASM CONN 3M	W/P TWR	12089040-MALE	DEVICE
12015800	A		12015790	ASM CONN 3F	W/P TWR	12089188-FEMALE	12015460
12015793	A		12015783	ASM CONN 3F	W/P TWR	12089188-FEMALE	12010717
12015610	A	OBSOLETE	12015499	ASM CONN 3M	W/P TWR	12089040-MALE	DEVICE
12015382	A	OBSOLETE	12010716	ASM CONN 3M	W/P TWR	12089040-MALE	DEVICE

DATE	SYM	REVISION RECORD	AUTHORITY	DR	CK
05FE90		ALL PARTS REDRAWN FROM SEPARATE 'C' SIZE DIMS. REVISED TERMINAL NOTE 12040691-REMOVED 'PATENT'			
		PENDING REV. LEVELS REMAIN THE SAME 32082 JC JC			
23MP90		ALL PARTS - ADDED NOTE *6 - NO REV. UPDATE REQ'D.			JC JC
		UPDATE REQ'D.			133282 JC JC
01OC90		ALL PARTS - ADDED STANDARD DESCRIPTION TO CHART, REVISED NAME			
		NO REV UPDATE REQ'D			136078 GC GC
07JN91		12040691 - ADDED SIR TO APPLICATION - ADDED INDEX CODE NOTE & REVISED DIMS			
		3 PLCS - NO REV UPDATE REQ'D			142370 TS
		ADDED INDEX CODE NOTE & REVISED DIMS			
18JAD0	06	12040691 - OBSOLETE			400710 FRE RING

PART NO.
1210 3348

FILE	*****USERS*****	*****SPECIFICATION*****
PED/NIBGRAFH	FILE	*****SYTIME*****
MICROSTATION	SPEC	

METRIC
DIMENSIONS ARE IN MILLIMETERS UNLESS OTHERWISE SPECIFIED.

THIRD ANGLE PROJECTION	UNLESS OTHERWISE SPECIFIED
CODE NO.	TOLERANCE UNLESS SPECIFIED
	DECIMAL
6900	ANGULAR ± 2
G.C. - C-5110	ONE PLACE ± 0.3
	TWO PLACE ± 0.15
DWG. Ø7FE90	DR. J. COLDSNOW
DATE 07FE90	SCALE 2:1
	DATE 07FE90
	DR. J. COLDSNOW
	DATE 07FE90
	APPR. A. R. HERMANN
	DATE 07FE90
	APPR.
	DATE

MATERIAL SPEC.	SEE DRAWING

NAME	TAXI ASM CONN 3 W/P TWR

PART NO.	SIZE
1210 3348	C