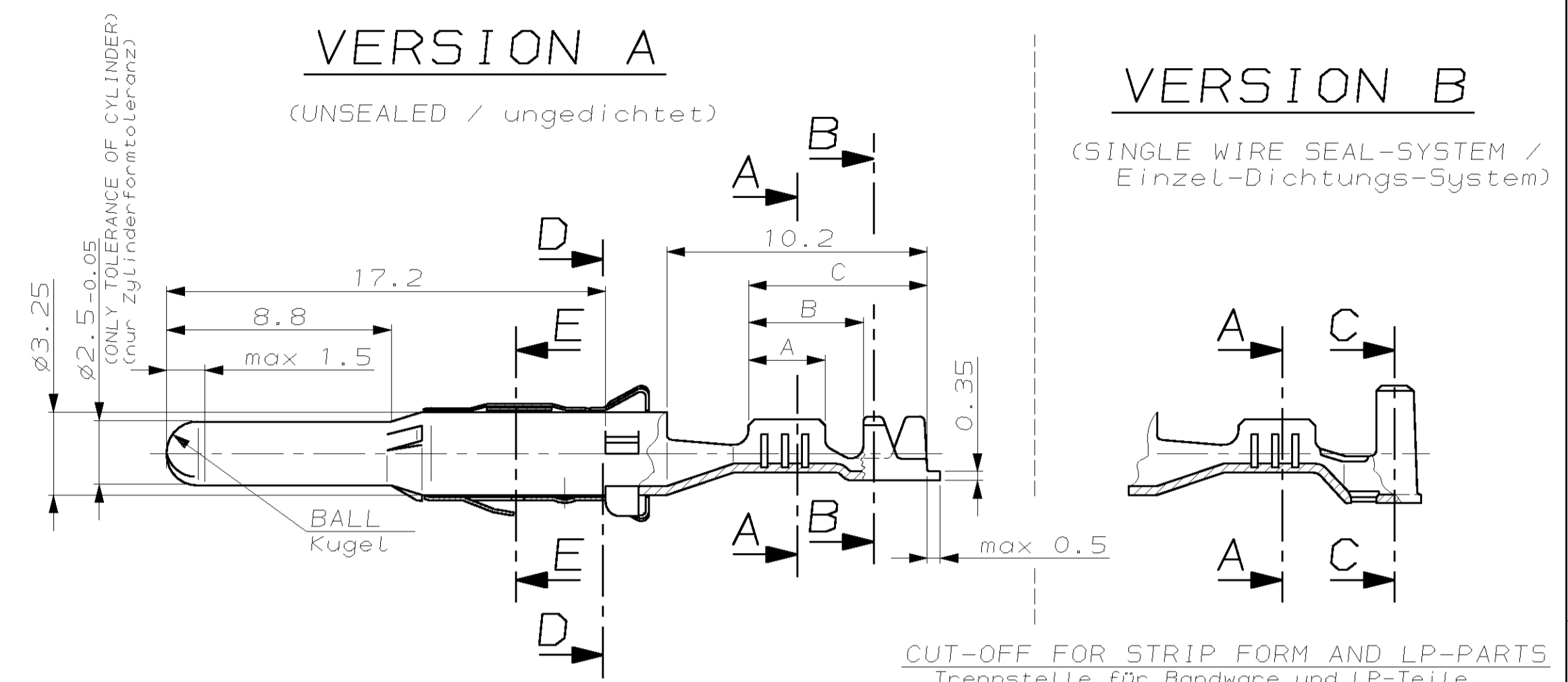
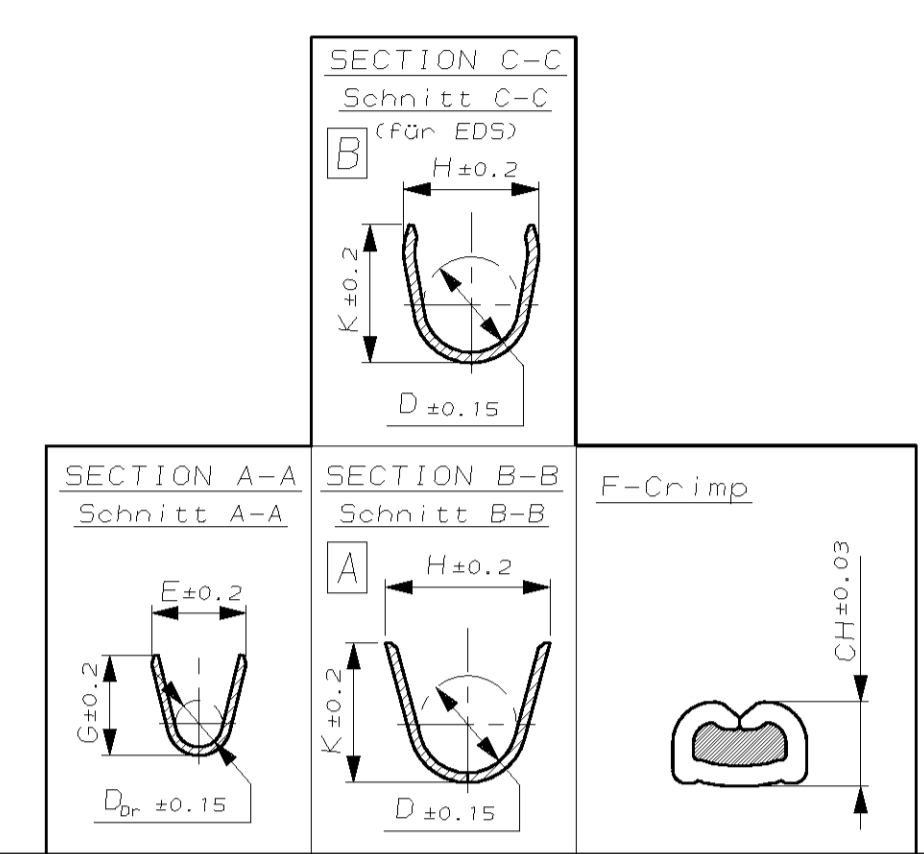
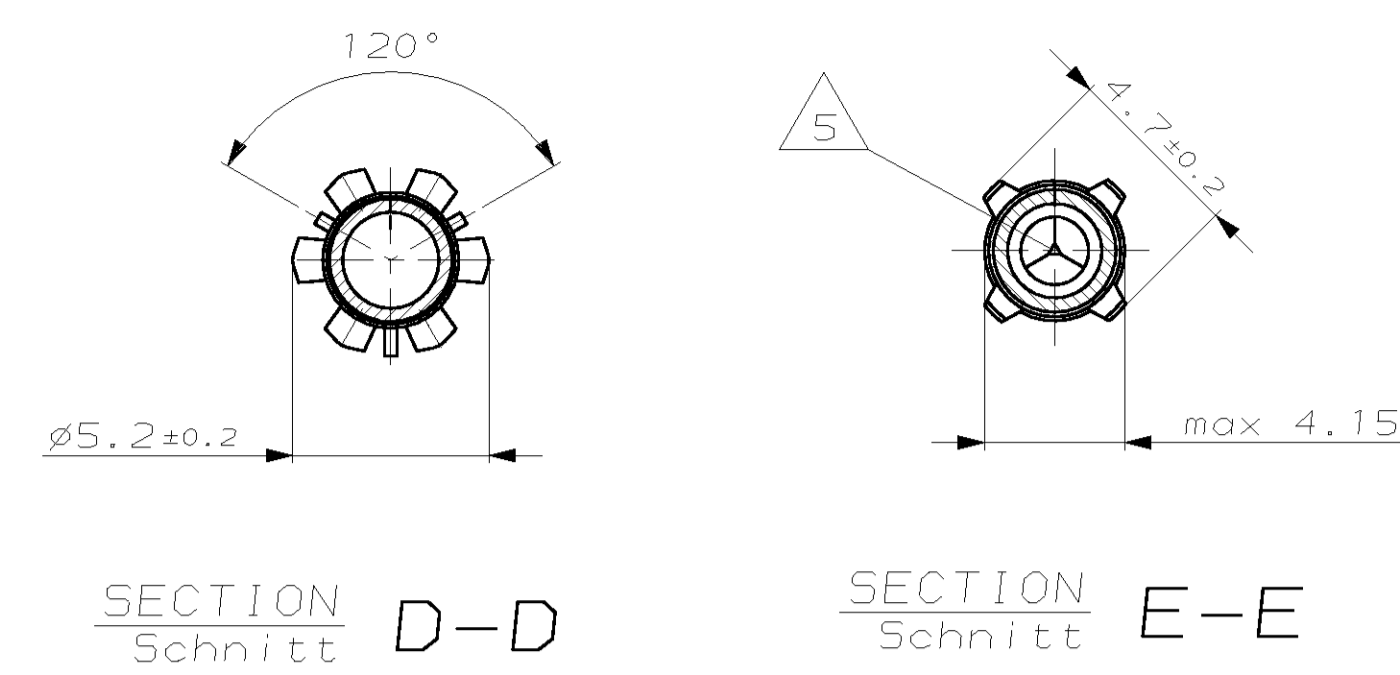
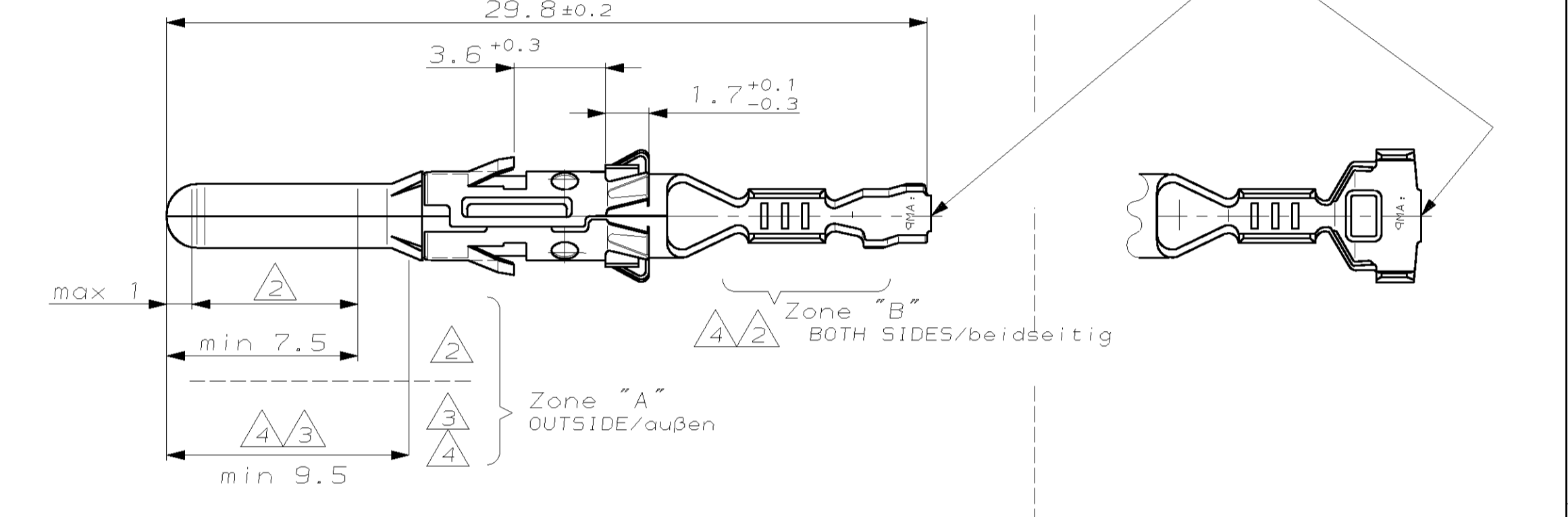


REV	DATE	BY	CHK	DESCRIPTION
A1	25-JUN-01	C.Goetz		NEW DRAWING, REPLACEMENT FOR DRAWING 116-18001-001
A2	01-SEP-04	Abraham		DRAWING CREATED TO AVAILABLE DRAWING Zeichnung an verfügbare Zeichnung intern angepasst
A2	10.04.06	Pröschner		AVAILABILITY AV 829966-7 AVAILABLE AV 829966-7 verfügbar



REV.	MATERIAL	SURFACE	DGB	WIRE CRIMP	INSUL. - CRIMP	WIRE CRIMP HEIGHT	APPLICATION TOOL	HAND TOOL	AMP ORDER-Nr.																																														
									SINGLE SEAL	DEAD END PLUG																																													
Version B (SINGLE WIRE SEAL-SYSTEM / Einzel-Dichtungs-System)	>1.0-2.5 FLR	CuFe2	2	E = 3.6 G = 3.8 D _{cr} = 1.7	B	H = 5.0 K = 5.0 D = 3.6	2.5mm ² = 1.97 2.0mm ² = 1.82 1.5mm ² = 1.67	MOC-Applicator 2-878486-2	734289-2	4	6.9	8.5	828921-1	828922-1																																									
															0.5-1.0 FLR	CuNiSi	3	E = 2.6 G = 2.8 D _{cr} = 1.1	B	H = 4.8 K = 4.8 D = 3.2	1.0mm ² = 1.45 0.75mm ² = 1.36 0.5mm ² = 1.27	MOC-Applicator 2-878485-2	734289-1	3	5.4	7	828920-1	828922-1																											
																													0.2-0.4 FLR	CuFe2	2	E = 2.1 G = 2.1 D _{cr} = 0.8	B	H = 4.5 K = 4.5 D = 3.2	0.35mm ² = 1.11	MOC-Applicator 2-878484-2	734289-1	3	5.4	7	828920-1	828922-1													
																																											CuNiSi	1	E = 2.1 G = 2.1 D _{cr} = 0.8	B	H = 4.5 K = 4.5 D = 3.2	0.35mm ² = 1.11	MOC-Applicator 2-878484-2	734289-1	3	5.4	7	828920-1	828922-1
	CuNiSi	1	E = 2.1 G = 2.1 D _{cr} = 0.8	B	H = 4.5 K = 4.5 D = 3.2	0.35mm ² = 1.11	MOC-Applicator 2-878484-2	734289-1	3	5.4	7	828920-1	828922-1																																										

REV.	MATERIAL	SURFACE	DGB	WIRE CRIMP	INSUL. - CRIMP	WIRE CRIMP HEIGHT	APPLICATION TOOL	HAND TOOL	AMP ORDER-Nr.																																															
									SINGLE SEAL	DEAD END PLUG																																														
Version A (UNSEALED / ungedichtet)	>2.5-4.0 FLR	CuFe2	2	E = 4.3 G = 4.5 D _{cr} = 2.4	A	H = 5.4 K = 5.6 D = 3.2	4.0mm ² = 2.30 3.0mm ² = 2.05	MOC-Applicator 2-878483-2	734285-3	4	5.5	8.5																																												
															>1.0-2.5 FLR	CuFe2	3	E = 3.6 G = 3.8 D _{cr} = 1.7	A	H = 4.3 K = 4.5 D = 2.6	2.5mm ² = 1.97 2.0mm ² = 1.82 1.5mm ² = 1.67 1.25mm ² = 1.60	MOC-Applicator 2-878482-2	734285-2	4	5.5	8.5																														
																													0.5-1.0 FLR	CuNiSi	2	E = 2.6 G = 2.8 D _{cr} = 1.1	A	H = 3.2 K = 3.4 D = 1.8	1.0mm ² = 1.45 0.75mm ² = 1.36 0.5mm ² = 1.27	MOC-Applicator 2-878481-2	734285-1	3	4.5	7																
																																											0.2-0.4 FLR	CuFe2	2	E = 2.1 G = 2.1 D _{cr} = 0.8	A	H = 2.5 K = 2.5 D = 1.4	0.35mm ² = 1.11 0.25mm ² = 1.07 0.2mm ² = 1.05	MOC-Applicator 2-878480-2	734285-1	3	4.5	7		



REMARKS
 Bemerkungen

1. **PRE TINNED** 1-2µm
 vorverzinnt

2. **ZONE "A":** MIN 0.8µm ELECTROPL. Au OVER MIN 1.3µm ELECTROPL. Ni LAYER
 min 0.8µm galv. Au über min 1.3µm galv. Ni
ZONE "B": 1-2µm ELECTROPL. Sn OVER MIN 0.1µm ELECTROPL. Ni
 1-2µm galv. Sn über min 0.1µm galv. Ni
 REST: min 0.1µm ELECTROPL. Ni
 min 0.1µm galv. Ni

3. **ZONE "A":** MIN 3µm ELECTROPL. Ag
 min 3µm galv. Ag
 REST: min 0.5µm ELECTROPL. Ag
 min 0.5µm galv. Ag

4. **ZONE "A":** MIN 3µm ELECTROPL. Ag
 min 3µm galv. Ag
ZONE "B": 1-3µm ELECTROPL. Sn
 1-3µm galv. Sn
 REST: SILVER OR TIN ALLOWED IN TRANSITION AREAS. OVERLAPPING LAYERS
 AND PLAIN SURFACES ARE NOT ALLOWED.
 Silber oder Zinn im Übergangsbereich erlaubt.
 Überlagernde Schichten oder blanke Stellen sind nicht erlaubt.

5. **AT AREA OF TOP OPENING PERMITTED**
 Im Bereich der Spitze Öffnung zulässig

6. **AVAILABILITY MUST BE CHECKED BY TYCO**
 Verfügbarkeit ist von Tyco zu prüfen

AMP ORDER-Nr.	AMP ORDER-Nr.	REV.	MATERIAL	SURFACE	DGB	WIRE CRIMP	INSUL. - CRIMP	WIRE CRIMP HEIGHT	APPLICATION TOOL	HAND TOOL	A	B	C	
STRIP FORM Bandware	LOOSE PIECE Einzel-Lauführung		Werkstoff	Oberfläche	[mm ²]	Drahterimp	Isol.-Crimp	Drahterimp-Höhe CH	Anschlag-WKZ	Handzange				
						CRIMP DIMENSION (mm) Crimpabmessungen (mm)			EXTRACTION TOOL Ausdrückwerkzeug Nr.: 872070-1					

DIMENSIONS: DIMENSIONEN: mm TOLERANCES UNLESS OTHERWISE SPECIFIED: ALLE TOLERANZEN N. 150 8015 ANGABEN UNTER N. 150 8015 FINISH/OBERFLÄCHE/FARBE SEE TABLE	TYPICAL DRAWING TYPISCHE ZEICHNUNG DATE: 25-JUN-2001 DRAWING NO.: 114-18020 WEIGHT: 0.85 g CUSTOMER DRAWING	tyco Electronics AMP GmbH D - 64625 Bensheim DIA. 2.5MM PIN CONTACT ø2.5mm Stiftkontakt 108-18027 114-18020 00779 © 1355064	RESTRICTED TO NUR FÜR
--	--	---	--------------------------