



#### Environment characteristics

Conformity to standards	Products	IEC 60947-5-1, EN 60947-5-1, UL 508, CSA C22-2 n° 14
	Machine assemblies	IEC 60204-1, EN 60204-1
Product certifications		UL, CSA (except products with special cables), CCC
Protective treatment		Standard version: "TC"
Ambient air temperature		For operation: - 25... + 70°C. For storage: - 40... + 70°C
Vibration resistance		XCMD snap action: 5 gn. XCMD slow break: 25 gn (10...500 Hz) conforming to IEC 60068-2-6
Shock resistance		25 gn (18 ms) conforming to IEC 60068-2-27 except head ZCE08: 15 gn (18 ms)
Electric shock protection		Class I conforming to IEC 61140 and NF C 20-030
Degree of protection		<b>IP 66, IP 67 and IP 68 (1) conforming to IEC 60529; IK 06 conforming to EN 50102</b>
Materials		Bodies: Zamak, heads: Zamak
Repeat accuracy		0.05 mm on the tripping points, with 1 million operations for head with end plunger

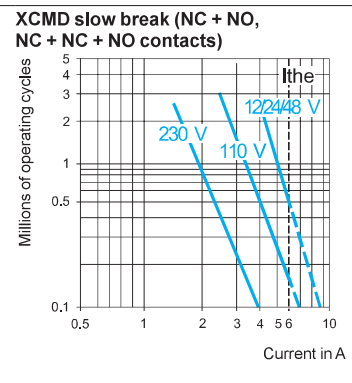
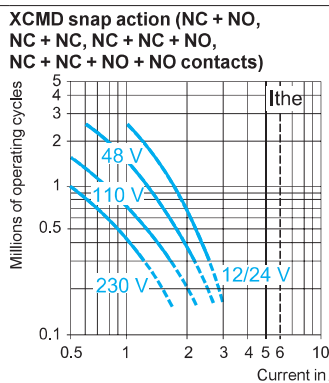
(1) Protection against prolonged immersion: the test conditions are subject to agreement between the manufacturer and the user.

#### Contact block characteristics

Rated operational characteristics	Switches with 2 contacts	~ AC-15; B300 (Ue = 240 V, Ie = 1.5 A) ⋮ DC-13; R300 (Ue = 250 V, Ie = 0.1 A), conforming to IEC 60947-5-1 Appendix A, EN 60947-5-1
	Switches with 3 and 4 contacts	~ AC-15; C300 (Ue = 240 V, Ie = 0.75 A) ⋮ DC-13; R300 (Ue = 250 V, Ie = 0.1 A), conforming to IEC 60947-5-1 Appendix A, EN 60947-5-1
	Pre-cabled switches	<b>Ithe = 6 A for 2 contacts, 4 A for 3 contacts, 3 A for 4 contacts</b>
	Switches with M12, 4-pin connector	Ui = 250 V, Ie = 3 A maximum, Ithe = 3 A
	Switches with M12, 5-pin connector	Ui = 60 V, Ie = 4 A maximum, Ithe = 4 A
	Switches with 7/8"-16UN, 5-pin connector	Ui = 250 V, Ie = 6 A maximum, Ithe = 6 A

Rated insulation voltage	Ui = 400 V degree of pollution 3 conforming to IEC 60947-5-1 Ui = 300 V conforming to UL 508, CSA C22-2 n° 14
Rated impulse withstand voltage	U imp = 4 kV conforming to IEC 60947-1, IEC 60664
Positive operation (depending on model)	NC contacts with positive opening operation conforming to IEC 60947-5-1 Appendix K, EN 60947-5-1
Resistance across terminals	≤ 25 mΩ conforming to IEC 60255-7 category 3
Short-circuit protection	6 A cartridge fuse type gG (gl)
Minimum actuation speed (for head with end plunger)	Snap action contact: 0.01 m/minute, slow break contact: 6 m/minute
Electrical durability	<ul style="list-style-type: none"> <li>■ Conforming to IEC 60947-5-1 Appendix C</li> <li>■ Utilisation categories AC-15 and DC-13</li> <li>■ Maximum operating rate: 3600 operating cycles/hour</li> <li>■ Load factor: 0.5</li> </ul>

AC supply  
50/60 Hz ~  
mm. inductive circuit



DC supply ⋮

Power broken in W for 5 million operating cycles

Voltage	V	24	48	120
mm	W	3	2	1

Power broken in W for 5 million operating cycles

Voltage	V	24	48	120
mm	W	4	3	3

# Limit switches

## OsiSense XC Standard

### Miniature design, metal, type XCMD

### Pre-cabled

1

Type of head	Plunger (fixing by the body)				Plunger (fixing by the head)		

Type of operator	Metal end plunger	Metal end plunger with elastomer boot (1)	Steel roller plunger	Retractable steel roller lever plunger	M12 with metal end plunger	M16 with metal end plunger with elastomer boot (1)	M12 with steel roller plunger
------------------	-------------------	---	----------------------	--	----------------------------	--	-------------------------------

References							
<b>2-pole NC + NO snap action</b> 	<b>XCMD2110L1</b> 	<b>XCMD2111L1</b> 	<b>XCMD2102L1</b> 	<b>XCMD2124L1</b> 	<b>XCMD21F0L1</b> 	<b>XCMD21G1L1</b> 	<b>XCMD21F2L1</b> 
<b>2-pole NC + NO break before make, slow break</b> 	<b>XCMD2510L1</b> 	<b>XCMD2511L1</b> 	<b>XCMD2502L1</b> 	<b>XCMD2524L1</b> 	<b>XCMD25F0L1</b> 	<b>XCMD25G1L1</b> 	<b>XCMD25F2L1</b> 
<b>2-pole NC + NC snap action</b> 	<b>ZCMD29L1 + ZCE10</b> 	<b>ZCMD29L1 + ZCE11</b> 	<b>ZCMD29L1 + ZCE02</b> 	<b>ZCMD29L1 + ZCE24</b> 	<b>ZCMD29L1 + ZCEF0</b> 	<b>ZCMD29L1 + ZCEG1</b> 	<b>ZCMD29L1 + ZCEF2</b> 
<b>3-pole NC + NC + NO snap action</b> 	<b>ZCMD39L1 + ZCE10</b> 	<b>ZCMD39L1 + ZCE11</b> 	<b>ZCMD39L1 + ZCE02</b> 	<b>ZCMD39L1 + ZCE24</b> 	<b>ZCMD39L1 + ZCEF0</b> 	<b>ZCMD39L1 + ZCEG1</b> 	<b>ZCMD39L1 + ZCEF2</b> 
<b>3-pole NC + NC + NO break before make, slow break</b> 	<b>ZCMD37L1 + ZCE10</b> 	<b>ZCMD37L1 + ZCE11</b> 	<b>ZCMD37L1 + ZCE02</b> 	<b>ZCMD37L1 + ZCE24</b> 	<b>ZCMD37L1 + ZCEF0</b> 	<b>ZCMD37L1 + ZCEG1</b> 	<b>ZCMD37L1 + ZCEF2</b> 
<b>Weight (kg)</b>	0.180	0.180	0.185	0.200	0.195	0.220	0.205
<b>4-pole NC + NC + NO + NO snap action</b> 	<b>ZCMD41L1 + ZCE10</b> 	<b>ZCMD41L1 + ZCE11</b> 	<b>ZCMD41L1 + ZCE02</b> 	<b>ZCMD41L1 + ZCE24</b> 	<b>ZCMD41L1 + ZCEF0</b> 	<b>ZCMD41L1 + ZCEG1</b> 	<b>ZCMD41L1 + ZCEF2</b> 
<b>Weight (kg)</b>	0.160	0.160	0.165	0.180	0.175	0.200	0.185
<b>Contact operation</b> 			(A) = cam displacement (P) = positive opening point				

Characteristics						
Switch actuation	On end		By 30° cam		On end	By 30° cam
Type of actuation						
Maximum actuation speed	0.5 m/s					0.1m/s
Mechanical durability	10 million operating cycles					
Minimum force or torque	For tripping	8.5 N	7 N	2.5 N	8.5 N	7 N
	For positive opening	42.5 N	35 N	12.5 N	42.5 N	35 N
Cabling	PvR cable, 5 x 0.75 mm <sup>2</sup> , length 1 metre for 2-pole contact versions, 7 x 0.5 mm <sup>2</sup> , length 1 metre for 3-pole contact versions, 9 x 0.34 mm <sup>2</sup> , length 1 metre for 4-pole contact versions. For other lengths see page 1/22.					

(1) Nitrile for indoor use.

# Limit switches

## OsiSense XC Standard

### Miniature design, metal, type XCMD

### Pre-cabled

Type of head	Rotary (fixing by the body)				Multi-directional
Type of operator	Thermoplastic roller lever	Steel roller lever	Roller lever with ball bearing mounted roller	Variable length thermoplastic roller lever	"Cat's whisker" (1)

References					
<b>2-pole NC + NO snap action</b> 	<b>XCMD2115L1</b> 	<b>XCMD2116L1</b> 	<b>XCMD2117L1</b> 	<b>XCMD2145L1</b> 	<b>XCMD2106L1</b> 
<b>2-pole NC + NO break before make, slow break</b> 	<b>XCMD2515L1</b> 	<b>XCMD2516L1</b> 	<b>XCMD2517L1</b> 	<b>XCMD2545L1</b> 	<b>XCMD2506L1</b> 
<b>2-pole NC + NC snap action</b> 	<b>ZCMD29L1 + ZCE01 + ZCY15</b> 	<b>ZCMD29L1 + ZCE01 + ZCY16</b> 	<b>ZCMD29L1 + ZCE01 + ZCY17</b> 	<b>ZCMD29L1 + ZCE01 + ZCY45</b> 	<b>ZCMD29L1 + ZCE06</b> 
<b>3-pole NC + NC + NO snap action</b> 	<b>ZCMD39L1 + ZCE01 + ZCY15</b> 	<b>ZCMD39L1 + ZCE01 + ZCY16</b> 	<b>ZCMD39L1 + ZCE01 + ZCY17</b> 	<b>ZCMD39L1 + ZCE01 + ZCY45</b> 	<b>ZCMD39L1 + ZCE06</b> 
<b>3-pole NC + NC + N/O break before make, slow break</b> 	<b>ZCMD37L1 + ZCE01 + ZCY15</b> 	<b>ZCMD37L1 + ZCE01 + ZCY16</b> 	<b>ZCMD37L1 + ZCE01 + ZCY17</b> 	<b>ZCMD37L1 + ZCE01 + ZCY45</b> 	<b>ZCMD37L1 + ZCE06</b> 
<b>Weight (kg)</b>	0.220	0.225	0.220	0.230	0.180
<b>4-pole NC + NC + NO + NO snap action</b> 	<b>ZCMD41L1 + ZCE01 + ZCY15</b> 	<b>ZCMD41L1 + ZCE01 + ZCY16</b> 	<b>ZCMD41L1 + ZCE01 + ZCY17</b> 	<b>ZCMD41L1 + ZCE01 + ZCY45</b> 	<b>ZCMD41L1 + ZCE06</b> 
<b>Weight (kg)</b>	0.200	0.205	0.200	0.210	0.160
<b>Contact operation</b>			(A) = cam displacement (P) = positive opening point		

(1) Value taken with actuation by moving part at 100 mm from the fixing.

Characteristics		
<b>Switch actuation</b>	By 30° cam	
<b>Type of actuation</b>		By any moving part
<b>Maximum actuation speed</b>	1.5 m/s	1 m/s
<b>Mechanical durability</b>	10 million operating cycles	
<b>Minimum force or torque</b>	For tripping	0.1 N.m
	For positive opening	0.5 N.m
<b>Cabling</b>	PvR cable, 5 x 0.75 mm <sup>2</sup> , length 1 metre for 2-pole contact versions, 7 x 0.5 mm <sup>2</sup> , length 1 metre for 3-pole contact versions, 9 x 0.34 mm <sup>2</sup> , length 1 metre for 4-pole contact versions. For other lengths see page 1/22.	

# Limit switches

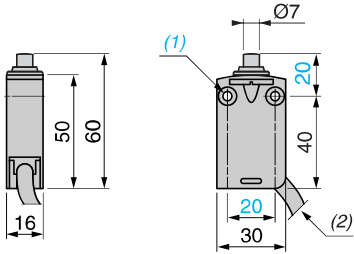
OsiSense XC Standard

Miniature design, metal, type XCMD

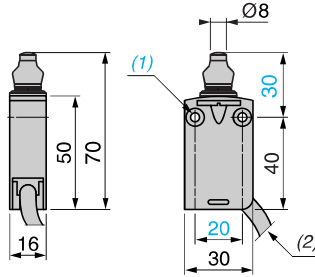
Pre-cabled

1

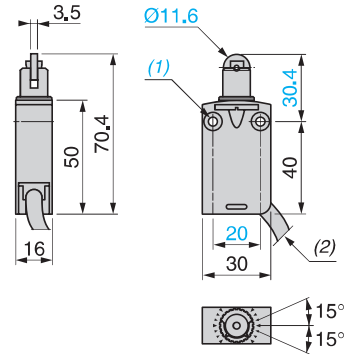
**XCMD2•10L1**



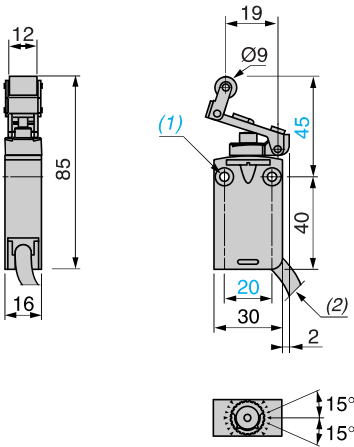
**XCMD2•11L1**



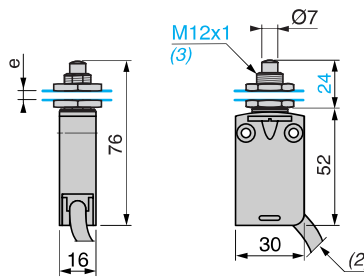
**XCMD2•02L1**



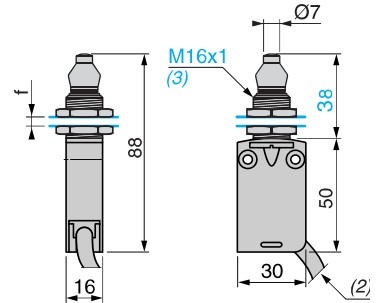
**XCMD2•24L1**



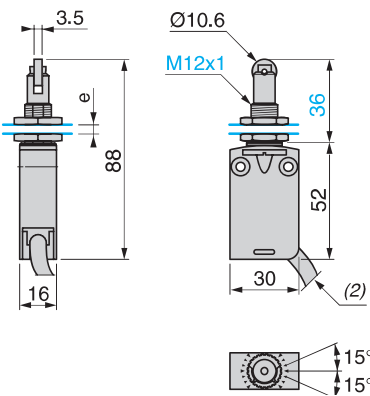
**XCMD2•F0L1**



**XCMD2•G1L1**



**XCMD2•F2L1**



(1) 2 fixing holes Ø 4.2 mm, counterbored Ø 8 mm by 4 mm deep.

(2) External diameter of cable 7.5 mm.

(3) Fixing nut thickness 3.5 mm.

e: 8 mm max, panel cut-out Ø 12.5 mm.

f: 8 mm max, panel cut-out Ø 16.5 mm.

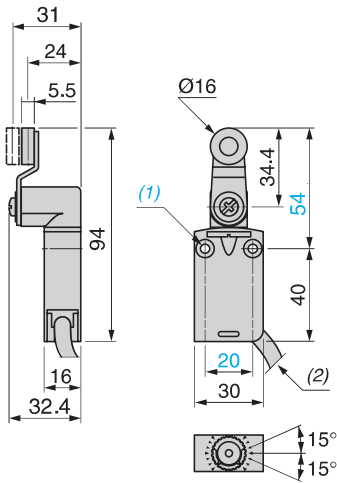
# Limit switches

OsiSense XC Standard

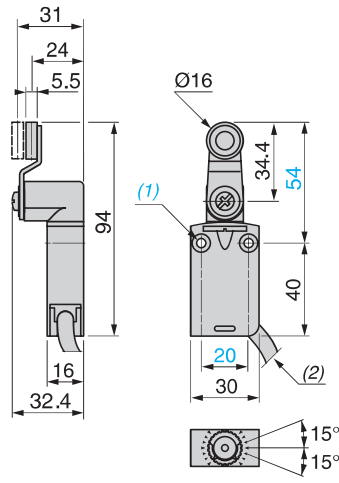
Miniature design, metal, type XCMD

Pre-cabled

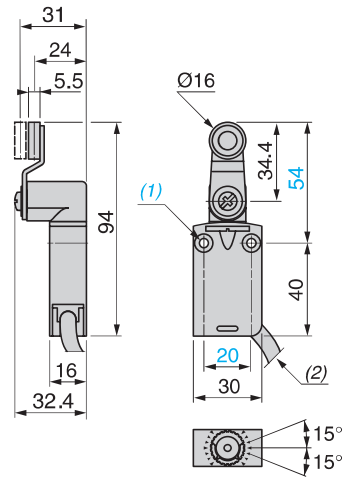
XCMD2•15L1



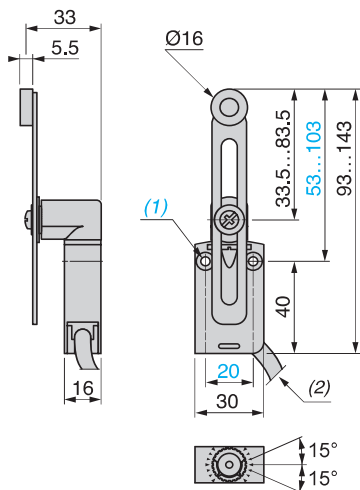
XCMD2•16L1



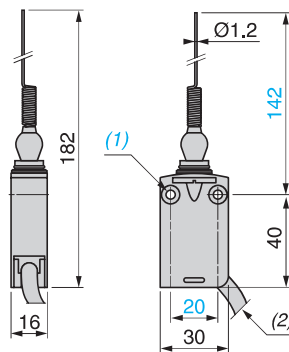
XCMD2•17L1



XCMD2•45L1



XCMD2•06L1



(1) 2 fixing holes Ø 4.2 mm, counterbored Ø 8 mm by 4 mm deep.

(2) External diameter of cable 7.5 mm.

e: 8 mm max, panel cut-out Ø 12.5 mm.

f: 8 mm max, panel cut-out Ø 16.5 mm.

# Limit switches

## OsiSense XC Standard

### Miniature design, metal, type XCMD Connector

1

Type of head	Plunger (fixing by the body)				Plunger (fixing by the head)		
Type of operator	Metal end plunger	Metal end plunger with elastomer boot (1)	Steel roller plunger	Retractable steel roller lever plunger	M12 with metal end plunger	M16 with metal end plunger with elastomer boot (1)	M12 with steel roller plunger

References							
	XCMD2110M12	XCMD2111M12	XCMD2102M12	XCMD2124M12	XCMD21F0M12	XCMD21G1M12	XCMD21F2M12
	XCMD2110C12	XCMD2111C12	XCMD2102C12	XCMD2124C12	XCMD21F0C12	XCMD21G1C12	XCMD21F2C12
	ZCMD29C12 + ZCE10	ZCMD29C12 + ZCE11	ZCMD29C12 + ZCE02	ZCMD29C12 + ZCE24	ZCMD29C12 + ZCEF0	ZCMD29C12 + ZCEG1	ZCMD29C12 + ZCEF2
Weight (kg)	0.085	0.085	0.090	0.105	0.100	0.125	0.110
	ZCMD21L08R12 + ZCE10	ZCMD21L08R12 + ZCE11	ZCMD21L08R12 + ZCE02	ZCMD21L08R12 + ZCE24	ZCMD21L08R12 + ZCEF0	ZCMD21L08R12 + ZCEG1	ZCMD21L08R12 + ZCEF2
	ZCMD21L08U78 + ZCE10	ZCMD21L08U78 + ZCE11	ZCMD21L08U78 + ZCE02	ZCMD21L08U78 + ZCE24	ZCMD21L08U78 + ZCEF0	ZCMD21L08U78 + ZCEG1	ZCMD21L08U78 + ZCEF2
Weight (kg)	0.150	0.150	0.155	0.170	0.165	0.190	0.175
Contact operation	closed open		(A) = cam displacement (P) = positive opening point		NC contact with positive opening operation		

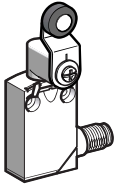
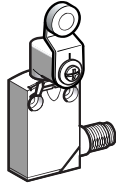
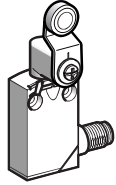
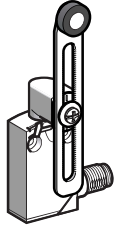
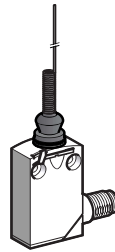
Characteristics					
Switch actuation	On end		By 30° cam		On end
Type of actuation					
Maximum actuation speed	0.5 m/s				0.1 m/s
Mechanical durability	10 million operating cycles				
Minimum force or torque	For tripping	8.5 N	7 N	2.5 N	8.5 N
	For positive opening	42.5 N	35 N	12.5 N	42.5 N
Positive operation	Although their design is identical to the pre-cabled switches, the switches incorporating an M12 4-pin connector cannot be marked with the  because they are single-pole CO.				

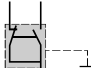
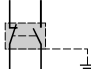
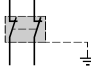
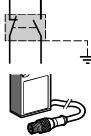
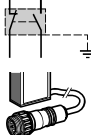
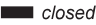
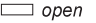

(1) Nitrile for indoor use.

# Limit switches

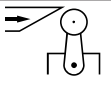
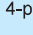
## OsiSense XC Standard

### Miniature design, metal, type XCMD Connector

Type of head	Rotary (fixing by the body)				Multi-directional
					
Type of operator	Thermoplastic roller lever	Steel roller lever	Roller lever with ball bearing mounted roller	Variable length thermoplastic roller lever	"Cat's whisker" (1)

References					
 Single-pole CO snap action With integral M12, 4-pin connector	XCMD2115M12	XCMD2116M12	XCMD2117M12	XCMD2145M12	XCMD2106M12
 2-pole NC + NO snap action With integral M12, 5-pin connector	XCMD2115C12	XCMD2116C12	XCMD2117C12	XCMD2145C12	XCMD2106C12
 2-pole NC + NC snap action With integral M12, 5-pin connector	ZCMD29C12 + ZCE01 + ZCY15	ZCMD29C12 + ZCE01 + ZCY16	ZCMD29C12 + ZCE01 + ZCY17	ZCMD29C12 + ZCE01 + ZCY45	ZCMD29C12 + ZCE06
Weight (kg)	0.125	0.130	0.125	0.135	0.085
 2-pole NC + NO snap action With M12, 5-pin connector on 0.8 m flying lead	ZCMD21L08R12 + ZCE01 + ZCY15	ZCMD21L08R12 + ZCE01 + ZCY16	ZCMD21L08R12 + ZCE01 + ZCY17	ZCMD21L08R12 + ZCE01 + ZCY45	ZCMD21L08R12 + ZCE06
 2-pole NC + NO snap action With 7/8"-16UN, 5-pin connector on 0.8 m flying lead	ZCMD21L08U78 + ZCE01 + ZCY15	ZCMD21L08U78 + ZCE01 + ZCY16	ZCMD21L08U78 + ZCE01 + ZCY17	ZCMD21L08U78 + ZCE01 + ZCY45	ZCMD21L08U78 + ZCE06
Weight (kg)	0.200	0.205	0.200	0.210	0.160
Contact operation	 closed  open		(A) = cam displacement (P) = positive opening point		 NC contact with positive opening operation

(1) Value taken with actuation by moving part at 100 mm from the fixing.

Characteristics		
Switch actuation	By 30° cam	
Type of actuation		By any moving part
Maximum actuation speed	1.5 m/s	
Mechanical durability	10 million operating cycles	
Minimum force or torque	For tripping	0.1 N.m
	For positive opening	0.5 N.m
Positive operation	Although their design is identical to the pre-cabled switches, the switches incorporating an M12 4-pin connector cannot be marked with the  symbol because they are single-pole CO.	

1

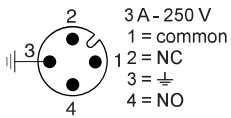
## References of suitable pre-wired female connectors

Type of connector		M12 straight, 4-pin 4 A, 250 V	M12 straight, 5-pin 4 A, 24 V	M12 elbowed, 5-pin 4 A, 24 V	7/8"-16 UN straight, 5-pin, 6 A, 250 V
With cable	L = 2 m	XZCP1169L2	XZCP1164L2	XZCP1264L2	XZCP1771L2
	L = 5 m	XZCP1169L5	XZCP1164L5	XZCP1264L5	XZCP1771L5
	L = 10 m	XZCP1169L10	XZCP1164L10	XZCP1264L10	XZCP1771L10
Weight (kg)		0.105	0.115	0.115	0.190

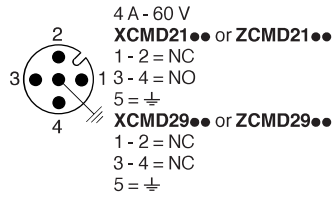
## Connections

### XCMD with connector

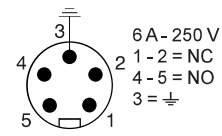
#### 4-pin, M12



#### 5-pin, M12

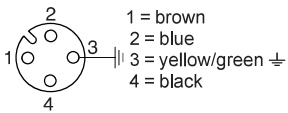


#### 5-pin, 7/8"-16UN

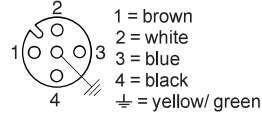


### Pre-wired female connectors XZCP

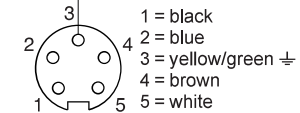
#### 4-pin, M12



#### 5-pin, M12

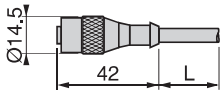


#### 5-pin, 7/8"-16UN

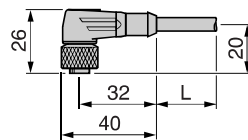


## Dimensions

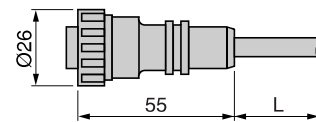
### XZCP116●L●



### XZCP1264L●



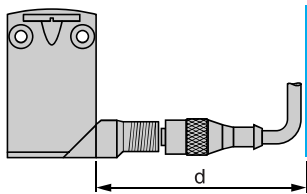
### XZCP1771L●



L: cable length 2, 5 or 10 m.

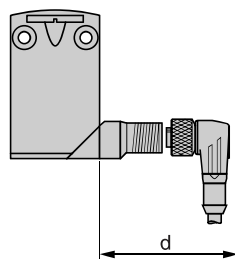
### Distances required for plug-in connectors

#### M12 straight connector



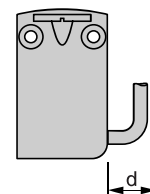
d: min. 65 mm, recommended 69 mm

#### M12 elbowed connector



d: min. 42 mm, recommended 45 mm

#### Connector on flying lead



d: min. 20 mm



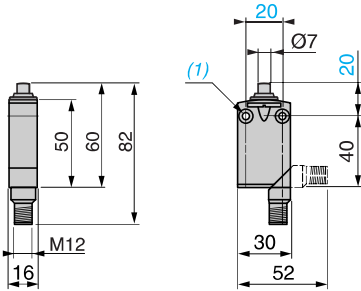
# Limit switches

OsiSense XC Standard

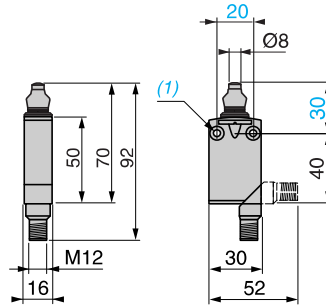
Miniature design, metal, type XCMD

Connector

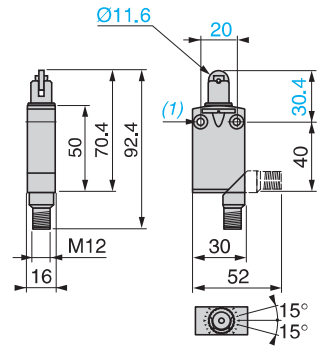
XCMD2•10M12



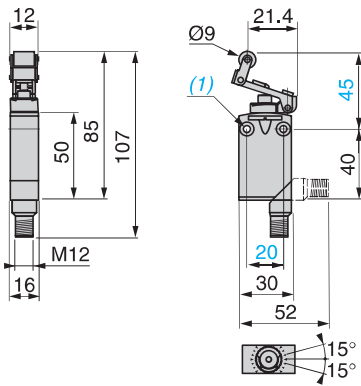
XCMD2•11M12



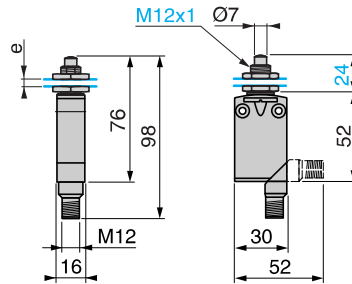
XCMD2•02M12



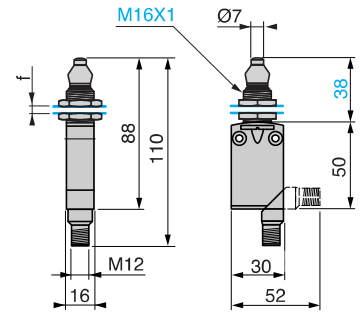
XCMD2•24M12



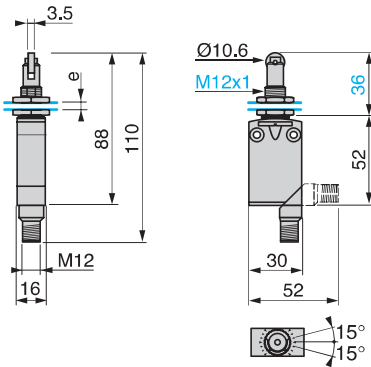
XCMD2•F0M12



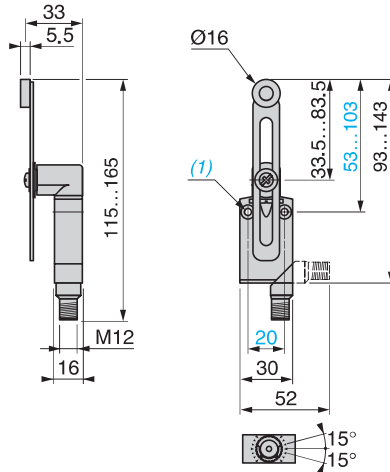
XCMD2•G1M12



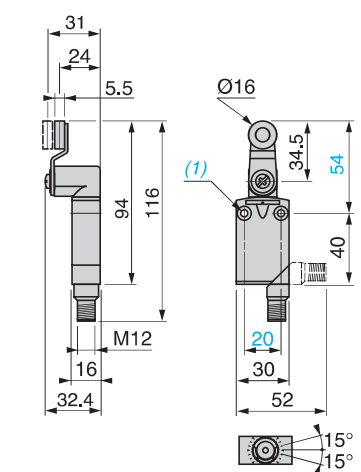
XCMD2•F2M12



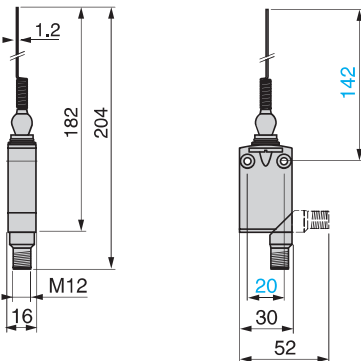
XCMD2•45M12



XCMD2•15M12/•16M12/•17M12



XCMD2•06M12



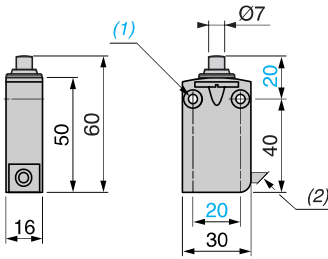
(1) 2 fixing holes Ø 4.2 mm, counterbored Ø 8 mm by 4 mm deep.  
 e: 8 mm max., panel cut-out Ø 12.5 mm, fixing nut thickness 3.5 mm.  
 f: 8 mm max., panel cut-out Ø 16.5 mm, fixing nut thickness 3.5 mm.

# Limit switches

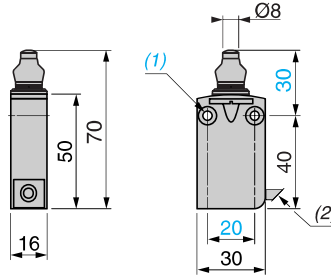
OsiSense XC Standard  
Miniature design, metal, type XCMD  
Connector

1

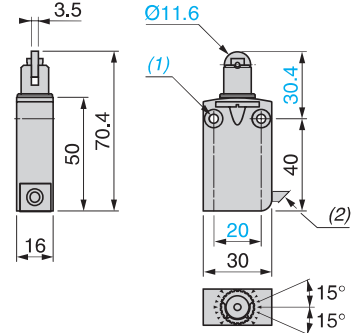
ZCMD21L08... + ZCE10



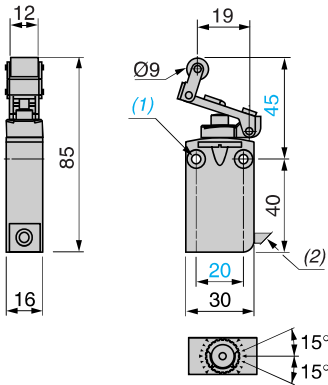
ZCMD21L08... + ZCE11



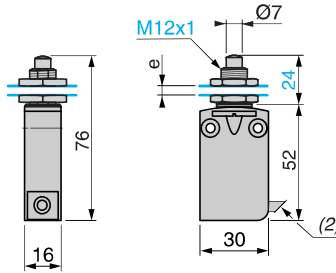
ZCMD21L08... + ZCE02



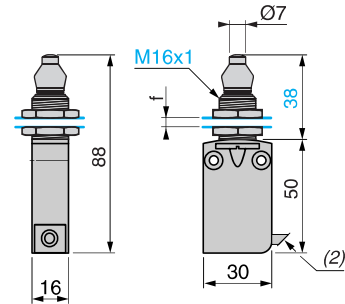
ZCMD21L08... + ZCE24



ZCMD21L08... + ZCEF0



ZCMD21L08... + ZCEG1



(1) 2 fixing holes  $\varnothing 4.2$  mm, counterbored  $\varnothing 8$  mm by 4 mm deep.

(2) External diameter 7.5 mm.

e: 8 mm max., panel cut-out  $\varnothing 12.5$  mm, fixing nut thickness 3.5 mm.

f: 8 mm max., panel cut-out  $\varnothing 16.5$  mm, fixing nut thickness 3.5 mm.

# Limit switches

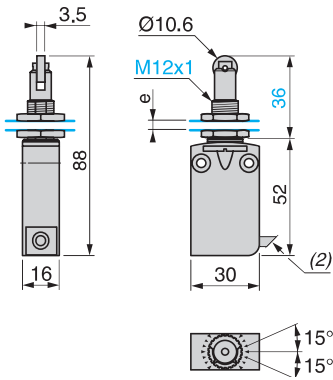
OsiSense XC Standard

Miniature design, metal, type XCMD

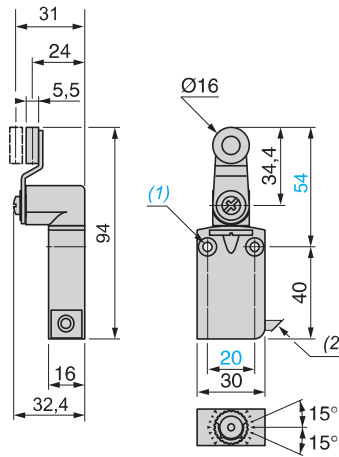
Connector



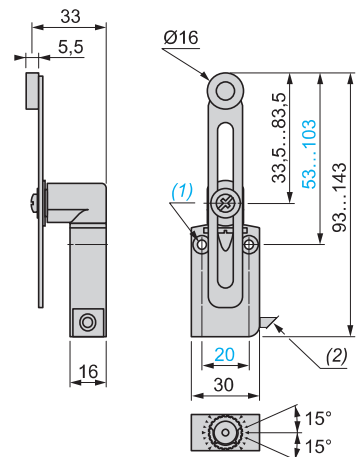
ZCMD21L08... + ZCEF2



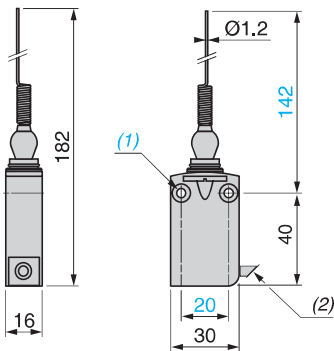
ZCMD21L08... + ZCE01 + ZCY15/16/17



ZCMD21L08... + ZCE01 + ZCY45



ZCMD21L08... + ZCE06



(1) 2 fixing holes Ø 4.2 mm, counterbored Ø 8 mm by 4 mm deep.  
 (2) External diameter 7.5 mm.  
 e: 8 mm max, panel cut-out Ø 12.5 mm, fixing nut thickness 3.5 mm.  
 f: 8 mm max, panel cut-out Ø 16.5 mm, fixing nut thickness 3.5 mm.

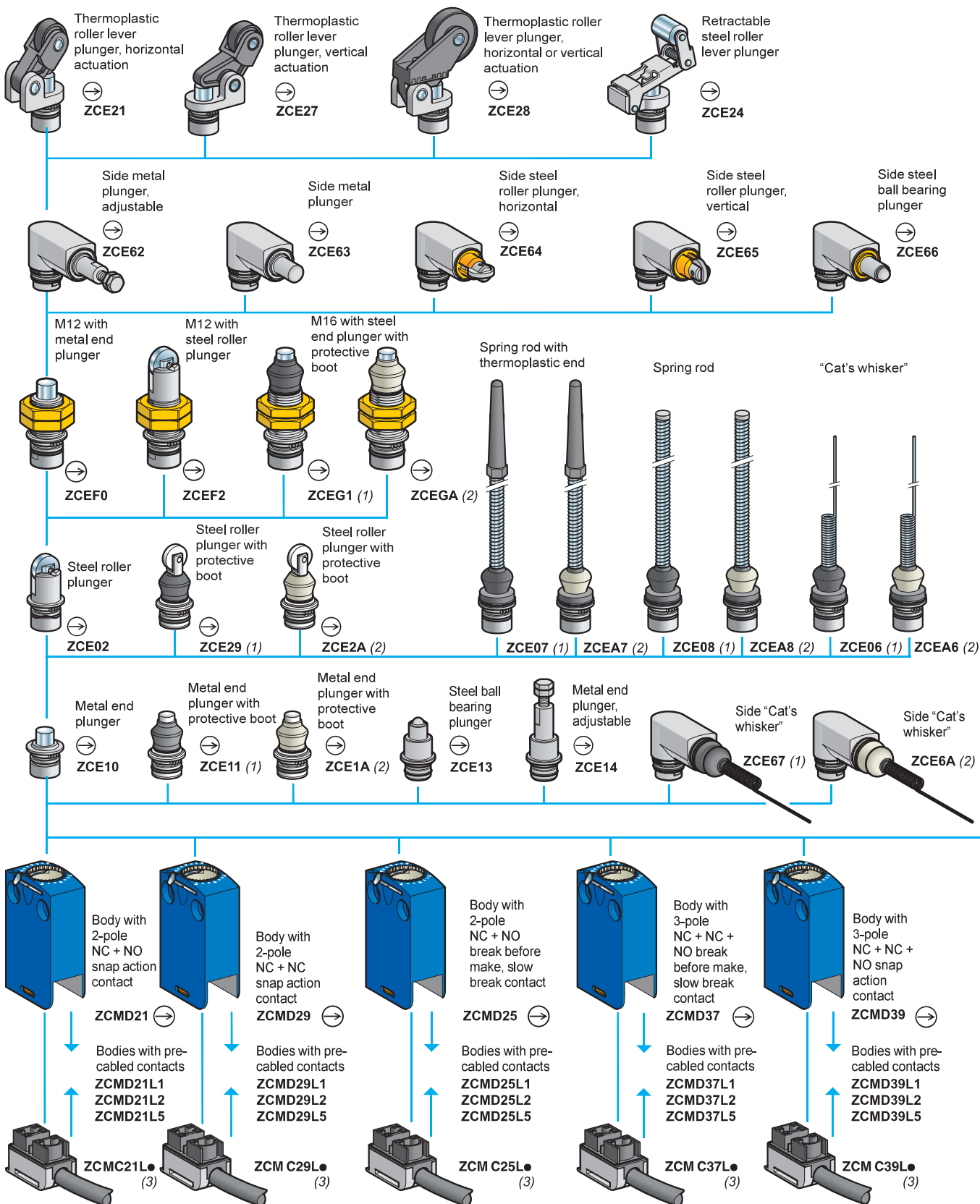
# Limit switches

## OsiSense XC Standard

### Miniature design, metal, type XCMD

### Variable composition

1



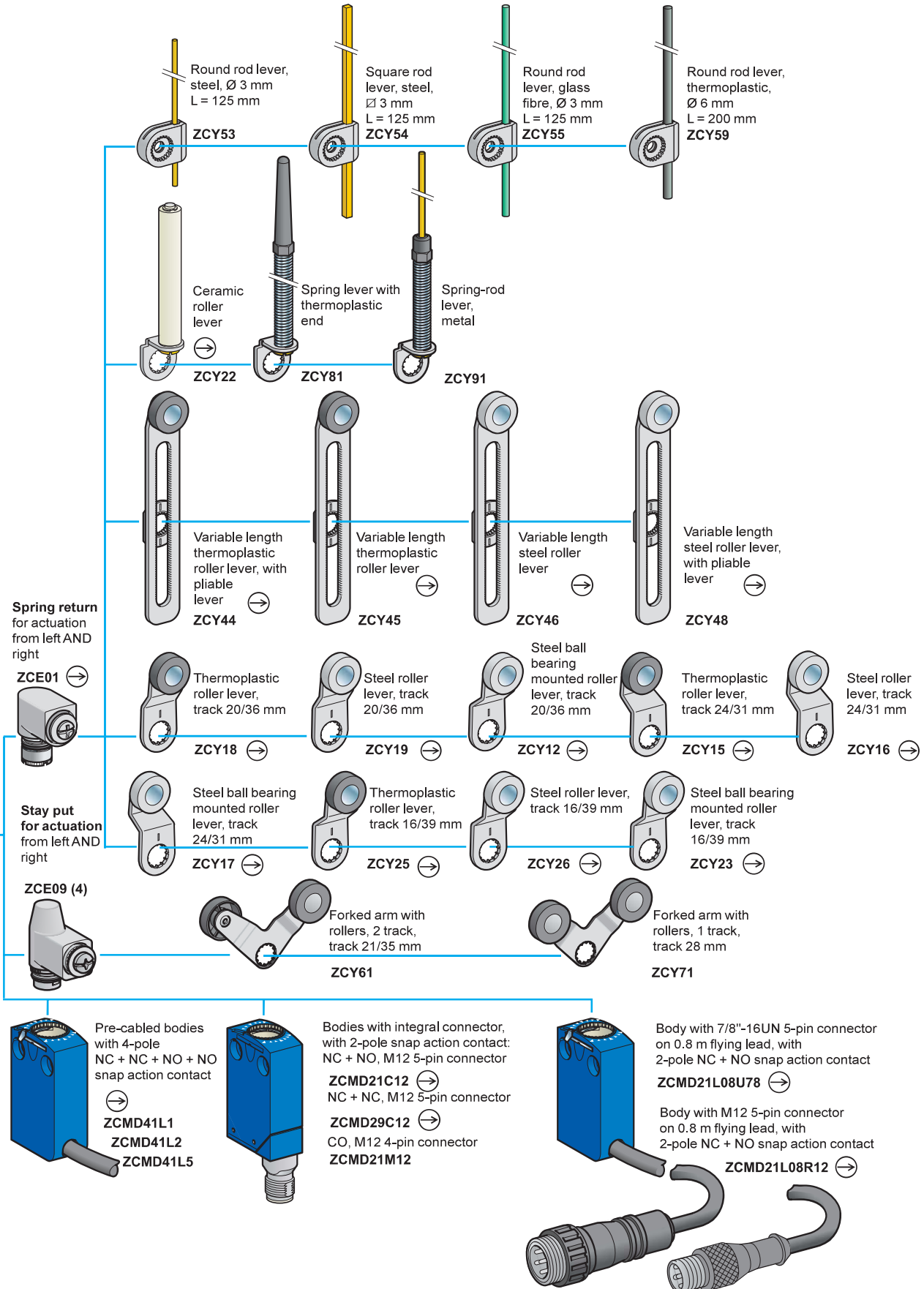
(1) Nitrile boot for indoor use.  
 (2) Silicone boot for outdoor use.  
 (3) Pre-cabled connection components: replace the "●" in the reference by the required cable length in metres, either: 1, 2, 3, 5, 7 or 10.  
 Example: ZCMC21L● becomes ZCMC21L7 for a 7 metre long cable.  
 Note: Only cable lengths of 1, 2 and 5 metres are available for pre-cabled connection components ZCMC37L● and ZCM39L●

# Limit switches

## OsiSense XC Standard

### Miniature design, metal, type XCMD

### Variable composition



(4) Cannot be used on bodies ZCMD21, ZCMD29, ZCMD39, ZCMD41, ZCMD21C12, ZCMD21M12, ZCMD29C12, ZCMD21L08●●●.

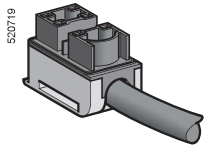
# Limit switches

OsiSense XC Standard

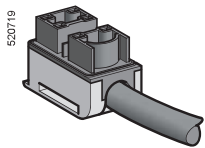
Miniature design, metal, type XCMD

Separate components

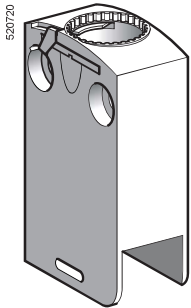
1



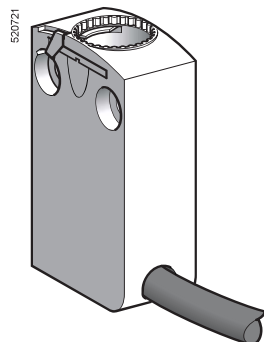
ZCMC21E1●



ZCMC25T06  
ZCMC21T1●



ZCMD6●  
ZCMD7●



ZCMD81L●

## Pre-cabled connection components with CEI cable

(Connitato Elettrotecnico Italiano) (1)

Type of contact	Scheme	Length of CEI cable in metres	Reference	Weight kg
<b>2-pole</b>				
NC + NO snap action		1	ZCMC21E1	0.100
		2	ZCMC21E2	0.190
		3	ZCMC21E3	0.280
		5	ZCMC21E5	0.440
		7	ZCMC21E7	0.700
		10	ZCMC21E10	0.970

## Pre-cabled connection components with halogen free cable

Type of contact	Positive operation (3)	Scheme	Length of cable in metres	Reference	Weight kg
<b>2-pole</b>					
NC + NO break before make, slow break	⊕		0.6	ZCMC25T06	0.080
NC + NO snap action	⊖		1	ZCMC21T1	0.130
			2	ZCMC21T2	0.250
			5	ZCMC21T5	0.520

## Bodies with gold contacts

Type of contact	Positive operation (3)	Scheme	Length of cable in metres	Reference	Weight kg
<b>2-pole</b>					
NC + NO snap action	⊕		-	ZCMD61	0.055
NC + NC snap action	⊕		-	ZCMD69	0.055
NC + NO break before make, slow break	⊖		-	ZCMD65	0.055
<b>3-pole</b>					
NC + NC + NO snap action	⊕		-	ZCMD79	0.055
NC + NC + NO break before make, slow break	⊕		-	ZCMD77	0.055
<b>4-pole</b>					
NC + NC + NO + NO snap action	⊕		1	ZCMD81L1	0.160
			2	ZCMD81L2	0.255
			5	ZCMD81L5	0.525

(1) Cable not UL, CSA certified.

(2) Other types of contacts and cable possible. Please consult our Customer Care Centre.

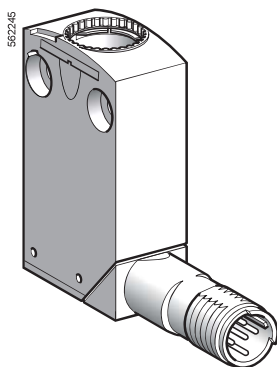
(3) ⊕ bodies with contacts assuring positive opening operation.

## Limit switches

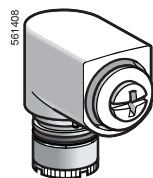
OsiSense XC Standard

Miniature design, metal, type XCMD

Separate components



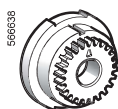
ZCMD61●●●



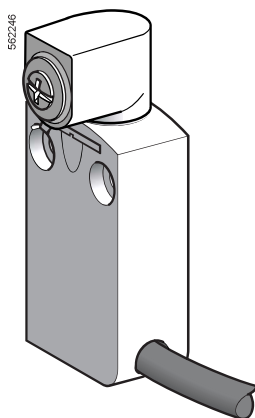
ZCE05



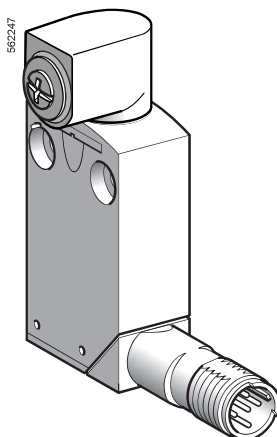
XCMZ06



XCMZ07



XCMD2●01L1



XCMD2101●12

## Bodies with gold contacts, connector

Type of contact	Positive operation (1)	Scheme	Connector	Reference	Weight kg
<b>2-pole</b>					
NC + NO snap action	–		M12, 5-pin	ZCMD61C12	0.065
NC + NC snap action	–		M12, 5-pin	ZCMD69C12	0.065
<b>Single-pole</b>					
CO snap action	–		M12, 4-pin	ZCMD61M12	0.065

## Accessories

Description	Positive operation (1)	Suitable levers for use with head	Reference	Weight kg
Rotary head, without lever, spring return, for actuation from left AND right or from left OR right (2)		ZCY12, ZCY15, ZCY16, ZCY17, ZCY18, ZCY19, ZCY22, ZCY23, ZCY25, ZCY26, ZCY39, ZCY53, ZCY54, ZCY55, ZCY81	ZCE05	0.045
Spacer for mounting multi-track XCMD	–	–	XCMZ06	0.005
Spacer for angular positioning – of heads with adjustable levers, for values other than – 90°, 0° and 90°	–	–	XCMZ07	0.005

## Bodies with contacts, with rotary head (without operating lever), pre-cabled

Type of contact	Positive operation (1)	Scheme	Length of cable in metres	Reference	Weight kg
<b>2-pole</b>					
NC + NO snap action			1	XCMD2101L1	0.180
NC + NO break before make, slow break			1	XCMD2501L1	0.180

## Bodies with contacts, with rotary head (without operating lever), connector

Type of contact	Positive operation (1)	Scheme	Connector	Reference	Weight kg
<b>2-pole</b>					
NC + NO snap action			M12, 5-pin	XCMD2101C12	0.110
<b>Single-pole</b>					
CO snap action	–		M12, 4-pin	XCMD2101M12	0.110

(1) bodies with contacts or head assuring positive opening operation.

(2) For programming see page 1/130.