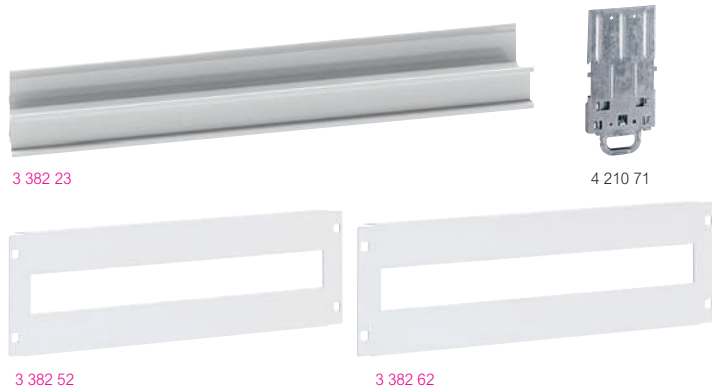


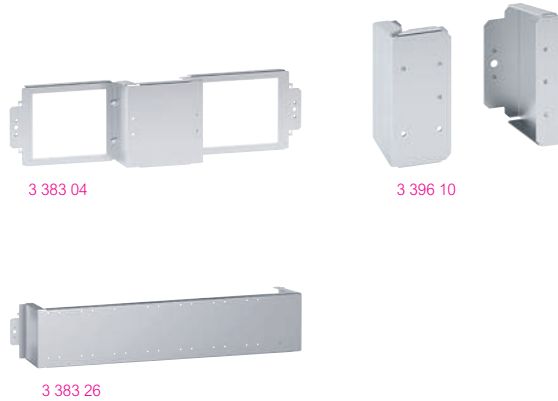
XL³ S 4000 - equipment for mounting modular devices and DPX³ on a rail



Pack	Cat.Nos	3-position rail rails
1	3 382 20	Used for mounting modular devices or DPX ³ 160/250 equipped with adaptors for rail
1	3 382 23	For 16-module enclosure
1	3 382 26	For 24-module enclosure
1	3 382 26	For 36-module enclosure
1	3 382 40	Rail height spacer
1	3 382 41	Used to combine modular devices and DPX ³ 160/250 on the same rail
1	3 382 42	Used to combine modular devices and DRX on the same rail
1	3 382 42	Used to combine DRX and DPX ³ 160/250 on the same rail
1	4 210 71	Adaptors for mounting DPX³ 160 and 250 on a rail
1	4 210 73	Used to mount DPX ³ on a rail
1	4 210 73	For DPX ³ 160 without side motor-driven handle
1	4 210 73	For DPX ³ 160 with e.l.c.bs without side motor-driven handle
1	4 210 68	For all DPX ³ 160 with side motor-driven handle
1	4 210 72	For DPX ³ 250 without side motor-driven handle
1	4 210 74	For DPX ³ 250 with e.l.c.bs without side motor-driven handle
1	4 210 69	For all DPX ³ 250 with side motor-driven handle
1	3 382 51	Window faceplates for modular devices
1	3 382 52	Fixed with locking clips, 1/4 turn screws or screws
1	3 382 53	Height 150 mm for modular devices
1	3 382 51	For 16-module enclosure
1	3 382 52	For 24-module enclosure
1	3 382 53	For 36-module enclosure
1	3 382 61	Height 200 mm for Vistop up to 160 A
1	3 382 62	For 16-module enclosure
1	3 382 63	For 24-module enclosure
1	3 382 63	For 36-module enclosure
1	3 382 71	Height 300 mm for DPX³ 160/250 and DPX-IS 250
1	3 382 72	For 16-module enclosure
1	3 382 73	For 24-module enclosure
1	3 382 73	For 36-module enclosure
1	3 382 81	Height 400 mm for DPX³ 250 with e.l.c.bs and terminal shield
1	3 382 82	For 16-module enclosure
1	3 382 83	For 24-module enclosure
1	3 382 83	For 36-module enclosure

XL³ S 4000

equipment for mounting DPX³ 160/250 on plate



Pack	Cat.Nos	Fixing plates for DPX ³ 160/250 - horizontal mounting on side uprights
1	3 383 00	DPX³ 160
1	3 383 01	For 16-module enclosure
1	3 383 04	For 24-module enclosure
1	3 383 07	For 36-module enclosure
1	3 384 01	DPX³ 250
1	3 384 04	For 16-module enclosure
1	3 384 07	For 24-module enclosure
1	3 384 07	For 36-module enclosure
1	3 396 20	Fixing plates for DPX³ 160/250 - horizontal mounting on central upright
1	3 396 21	For DPX ³ 160
1	3 396 21	For DPX ³ 250
1	3 396 10	For DPX ³ 160 with or without e.l.c.bs
1	3 396 11	For DPX ³ 250 with or without e.l.c.bs
1	3 383 20	Fixing plates for DPX³ 160/250 - vertical mounting
1	3 383 21	DPX³ 160
1	3 383 21	For 16-module enclosure
1	3 383 23	For 24-module enclosure
1	3 383 24	For 24-module enclosure
1	3 383 26	For 36-module enclosure
1	3 383 27	For 36-module enclosure
1	3 383 21	For 16-module enclosure
1	3 383 25	For 24-module enclosure
1	3 383 28	For 36-module enclosure
1	3 384 20	DPX³ 250
1	3 384 20	For 16-module enclosure
1	3 384 23	For 24-module enclosure
1	3 384 24	For 24-module enclosure
1	3 384 26	For 36-module enclosure
1	3 384 27	For 36-module enclosure
1	3 384 21	For 16-module enclosure
1	3 384 25	For 24-module enclosure
1	3 384 28	For 36-module enclosure