

FEATURES

- Industry standard octal-type termination for quick installation.
- Contact rating up to 10A/250VAC



ORDERING INFORMATION

MK2PI — **12** **D**
 1 2 3

1. Type
 MK2PI (2PDT)
 MK3P5I (3PDT)
2. Coil Nominal Voltage
3. Coil Nominal Voltage Type
 D: DC
 A: AC

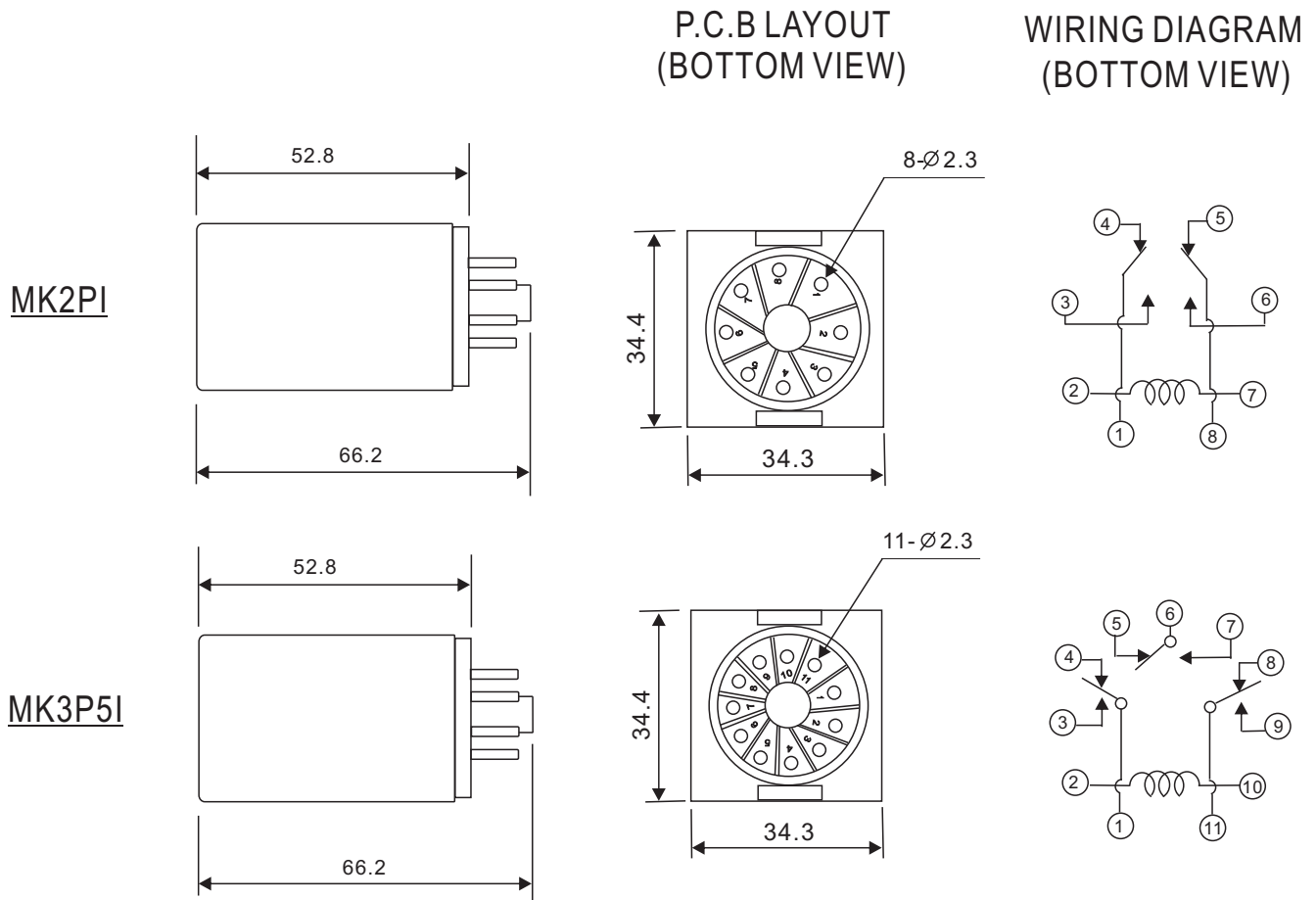
COIL DATA(at 25°C)

AC 2.8VA				DC 1.6W				
Coil Nominal Voltage (50/60Hz)	Resistance Tol.±10% (Ohms)	Maximum Pick Up Voltage (V)	Minimum Drop Out Voltage (V)	Coil Nominal Voltage (VDC)	Resistance Tol.±10% (Ohms)	Nominal Current (mA)	Maximum Pick Up Voltage (V)	Minimum Drop Out Voltage (V)
12	18	9.6	3.6	6	22.5	266	4.8	0.6
24	72	19.2	7.2	12	90	133	9.6	1.2
48	288	38.4	14.4	24	360	66	19.2	2.4
110	1,512	88.0	33.0	48	1,440	33	38.4	4.8
220	6,050	176.0	66.0	120	9,000	13	96.0	12.0
240	7,200	192.0	72.0					

CONTACT RATING

MK2PI (2PDT)	AC 250V/30VDC	10A
MK3P5I(3PDT)	AC 250V/30VDC	10A

DIMENSIONS(mm)



GENERAL DATA

Insulation Resistance	500 MΩ Min. (DC 500V)
Dielectric Strength	1,000 VAC, 50/60Hz between contact.
	1,500 VAC, 50/60Hz between all elements.
Contact Material	Ag Alloy.
Contact Resistance	50 milliohms max. (initial value)
Shock Resistance	Malfunction: 10G(11ms) ; Destructive: 100G(6ms)
Vibration Resistance	Malfunction: 10 to 55 Hz. at Double Amplitude of 1.5 mm
	Destructive: 10 to 55 Hz. at Double Amplitude of 1.5 mm
Operation Time	15 ms max.
Release Time	10 ms max.
Temperature Range	- 40°C ~ + 55°C
Expected Life	With operation rate 30/min.
	Mechanical - 10,000,000 operations min.
	Electrical - 100,000 operations min. at rated load.
Weight	MK2PI Type : 70 grams, MK3P5I Type : 80 grams