



Control switch, Change over switch Flush mounting



Powering Business Worldwide™

Part no. T0-1-15434/E
Article no. 062586

Catalog No. CT01-15434-DOKBUQ



Delivery programme

Product range			Control switches
Basic function			Hand/Auto switches
Part group reference			T0
Protection type			Front IP65
			With 0 (Off) position with black thumb grip and front plate
Spring-return			With spring-return from HAND
Contact sequence			
Front plate no.			
Main conducting paths			
main circuits poles		M	1
Max. motor rating			
AC-23A			
400/415 V 50-60 Hz	P	kW	6.5

Approvals

Product Standards	UL 508; CSA-C22.2 No. 14-05; IEC/EN 60947-3; CE marking
UL File No.	E36332
UL Category Control No.	NLRV
CSA File No.	12528
CSA Class No.	3211-05
North America Certification	UL listed, CSA certified
Suitable for	Branch circuits
Degree of Protection	IEC: IP65; UL/CSA Type 3R, 12

General

Standards			IEC/EN 60947, VDE 0660, IEC/EN 60204, CSA, UL Switch-disconnectors to IEC/EN 60947-3 Load-break switches to IEC/EN 60947-3
Lifespan, mechanical	Operations	x 10 ⁶	0.4
Maximum operating frequency		Operations h	3000
Climatic proofing			Damp heat, constant, to IEC 60068-2-78; Damp heat, cyclical, to IEC 60068-2-30

Ambient temperature		°C	
Open		°C	- 25 - 50
Enclosed		°C	- 25 - 40
Mounting position			As required
Mechanical shock resistance to IEC 60068-2-27	Half-sinusoidal shock 20 ms	g	> 15

Contacts

Rated operational voltage	U_e	V AC	690
Rated impulse withstand voltage	U_{imp}	V AC	6000
Overvoltage category/pollution degree			III/3
Rated uninterrupted current	I_u	A	
Rated uninterrupted current	I_u	A	20
open	I_u	A	20
Enclosed	I_u	A	20
Load rating with intermittent operation, class 12			
AB 25 % DF		$\times I_e$	2
AB 40 % DF		$\times I_e$	1.6
AB 60 % DF		$\times I_e$	1.3
Short-circuit rating			
Fuse		A gG/ gL	20
Rated short-time withstand current (1 s current)	I_{cw}	A_{rms}	320
Safe isolation to EN 61140			
between the contacts		V AC	440
Protection against direct contact			Finger and back-of-hand proof to IEC 536
Switching angles		°	90 60 45 30
Contact units			11
Double-break contacts			max. 22
Current heat loss per contact at I_e		W	0.6

Switching capacity

AC		$\times U_s$	
Rated making capacity $\cos \varphi = 0.35$		A	130
Bemessungsausschaltvermögen Motorschalter $\cos \varphi = 0.35$		A	
230 V		A	100
400 V		A	110
500 V		A	80
690 V		A	60
Rated operational current 440 V load-break switch AC-21A	I_e	A	20
Rating, AC-3 motor load switch	P	kW	
220 V 230 V	P	kW	3
230 V Star-delta	P	kW	4
380 V 400 V	P	kW	4
400 V Star-delta	P	kW	5.5
500 V	P	kW	5.5
500 V Star-delta	P	kW	7.5
660 V 690 V	P	kW	4
690 V Star-delta	P	kW	5.5
Bemessungsbetriebsleistung AC-23A, 50 - 60 Hz	P	kW	
230 V	P	kW	3.5
400 V	P	kW	6.5

500 V	P	kW	7.5
Rated operational current control switch AC-15			
220 V 230 V 240 V	I _e	A	6
380 V 400 V 415 V	I _e	A	4
500 V	I _e	A	2
DC		x U _s	
DC-1, Load-break switches L/R = 1 ms			
Rated operational current	I _e	A	10
Voltage per contact pair in series		V	60
DC-21A	I _e	A	
Rated operational current 240 V	I _e	A	1
240 V Contacts		Quantity	1
DC-23A, motor load switch L/R = 15 ms			
24 V			
Rated operational current	I _e	A	10
Contacts		Quantity	1
48 V			
Rated operational current	I _e	A	10
Contacts		Quantity	2
60 V			
Rated operational current	I _e	A	10
Contacts		Quantity	3
120 V			
Rated operational current	I _e	A	5
Contacts		Quantity	3
240 V			
Rated operational current	I _e	A	5
Contacts		Quantity	5
DC-13, Control switches L/R = 50 ms			
Rated operational current	I _e	A	10
Voltage per contact pair in series		V	32
Control circuit reliability at 24 V DC, 10 mA	Fault probability	H _F	< 10 ⁻⁵ , < 1 fault in 100000 operations

Terminal capacities

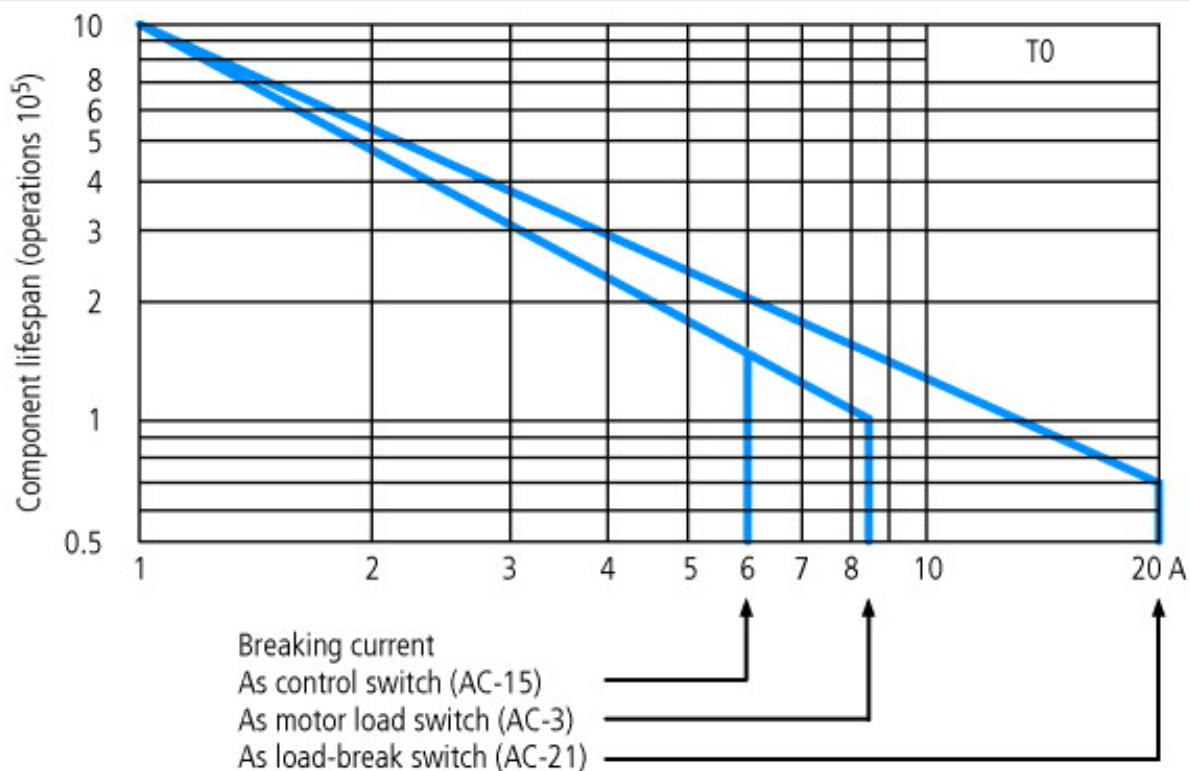
Solid or stranded		mm ²	1 x (1 - 2.5) 2 x (1 - 2.5)
Flexible with ferrules to DIN 46228		mm ²	1 x (0.75 - 1.5) 2 x (0.75 - 1.5)
Terminal screw			M3.5
Tightening torque		Nm	1
Notes			The following applies for solid, multiwire, and flexible terminal capacities: If 2 conductors are being used, a max. difference of 2 cross-section categories is permissible

Technical data ETIM 4.0

Switch function			Reverser
Number of poles			1
Max. rated operation voltage U _e AC		V	690
Rated permanent current I _u		A	20
Number of switch positions			3
With 0 (off) position			Yes
With retraction in 0-position			Yes
Device construction			Built-in device
Suitable for ground mounting			No
Suitable for front mounting 4-hole			Yes
Suitable for distribution board installation			No

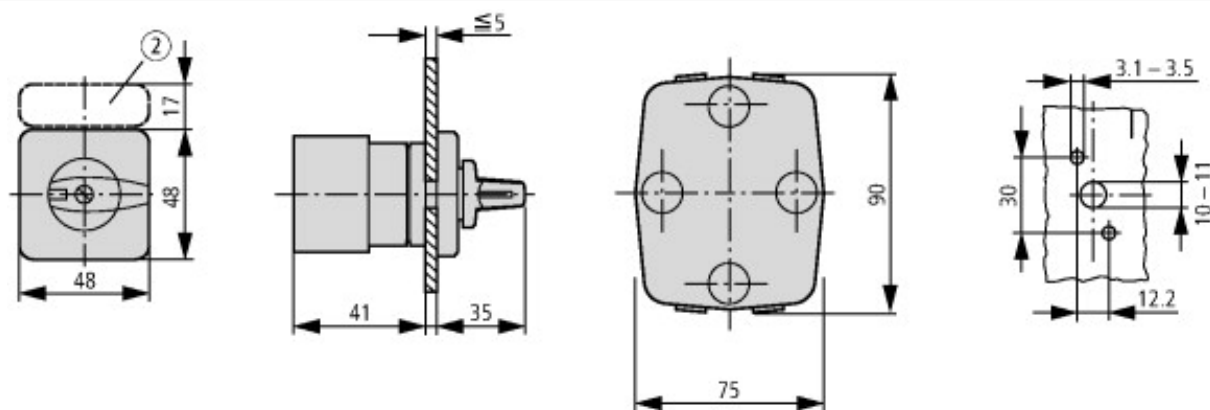
Suitable for intermediate mounting		No
Complete device in housing		No
Type of control element		Toggle
Front shield size		48x48 mm
Degree of protection (IP), front side		IP65

Characteristics

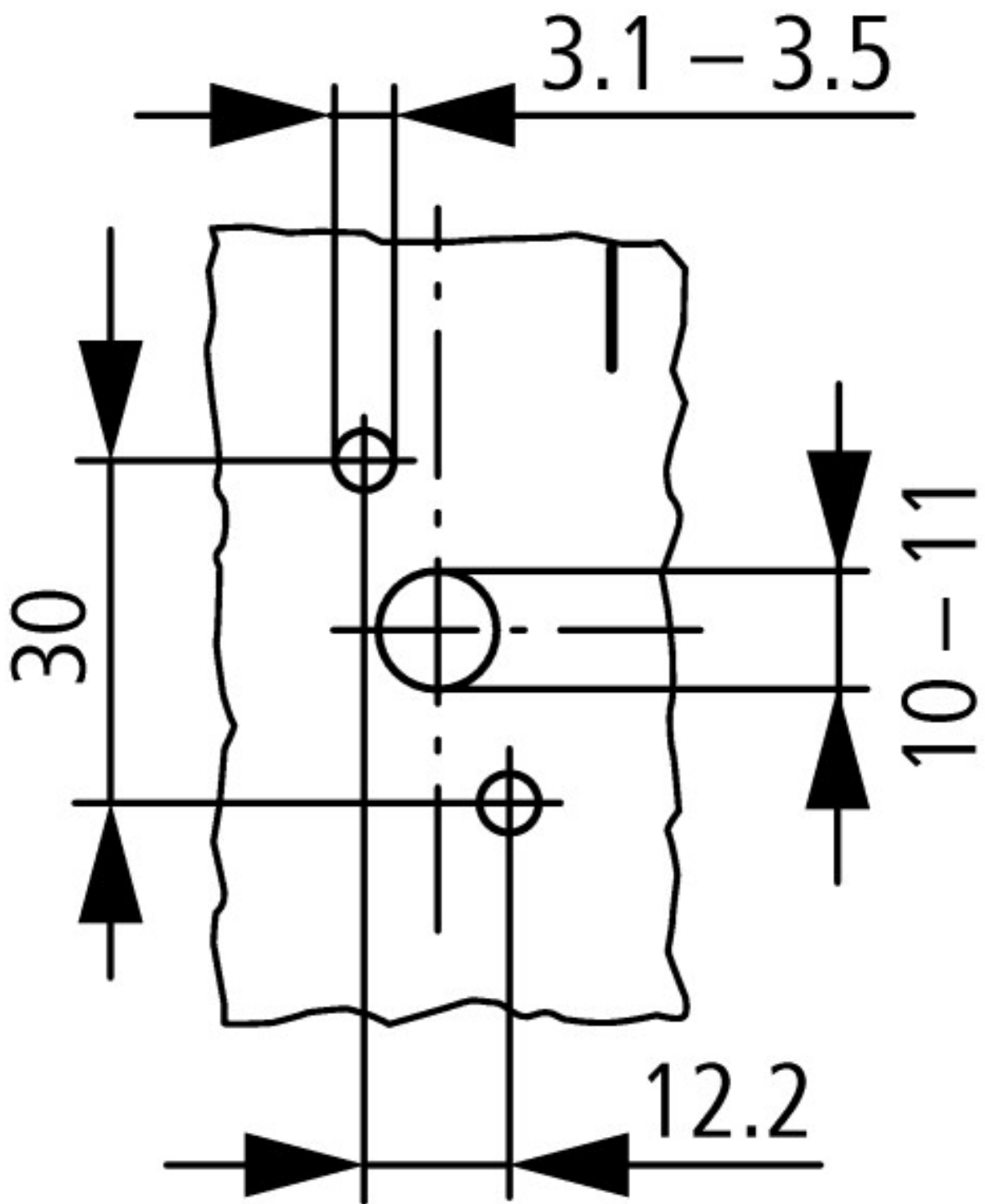


For utilisation category AC-4 (extreme load: 100 % inching, reversing or plugging)
The blocked rotor current of the motor should not exceed the rated current of the switch for AC-21A to ensure a reasonable device lifespan.

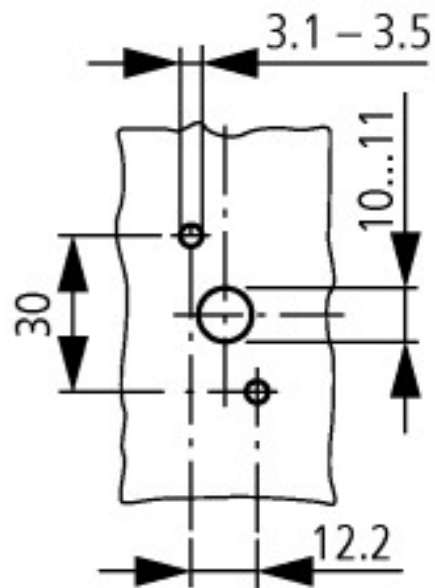
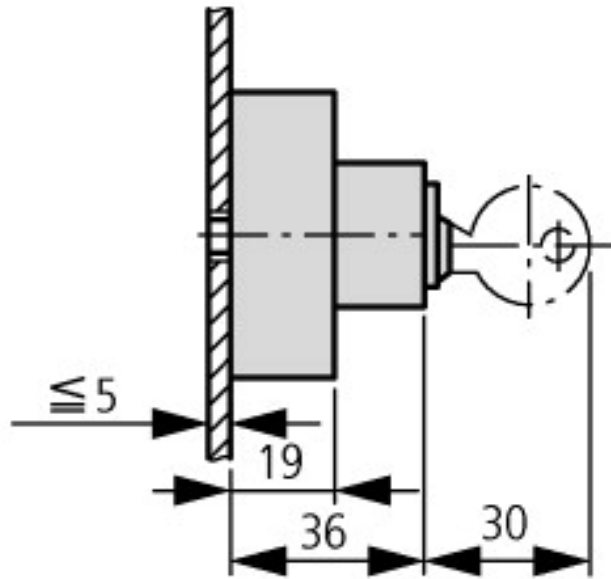
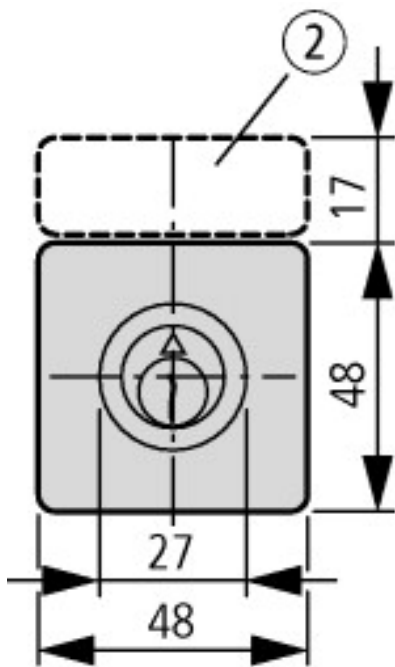
Dimensions



② Label mount not included as standard
One contact unit depth: 9.5 mm



Diameter of drilled hole Door



Key operation lock mechanism
T0.../E + S-(SOND-)T0

Additional product information (links)

IL03801020Z (AWA1150-0586) Cam switch: Mounting

IL03801020Z (AWA1150-0586) Cam
switch: Mounting

ftp://ftp.moeller.net/DOCUMENTATION/AWA_INSTRUCTIONS/IL03801020Z2013_02.pdf

<http://ecat.moeller.net/flip-cat/?edition=HPLEN&startpage=4.87>

<http://ecat.moeller.net/flip-cat/?edition=K115A&startpage=108>