

Motion detector - Professional Line

IR 2180 UP ECO



EAN 4007841 065003
Article number 065003



infrared sensor
180°



max. 8 m



2- or 3-wire



manual switch
ON/OFF



IP20



2 - 1000 lux



5 sec - 30 min



energy saving



CE

Function description

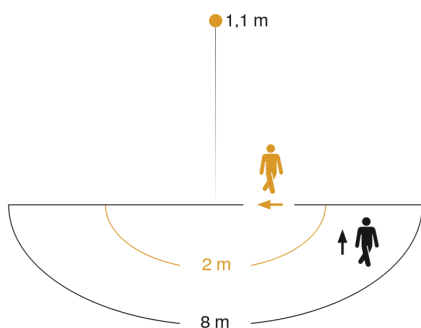
The new universal wizard. Lighting automation made easy: the IR 2180 UP ECO sensor switch is a revolutionary world first. It works in both as 2 and 3-wire installations and can switch all type of lamps ON and OFF. Simply replace existing flush-mounted switches – done! With 180° infrared sensor (8 m reach) and button for manual switching.

EAN 4007841 065003
Article number 065003

Technical specifications

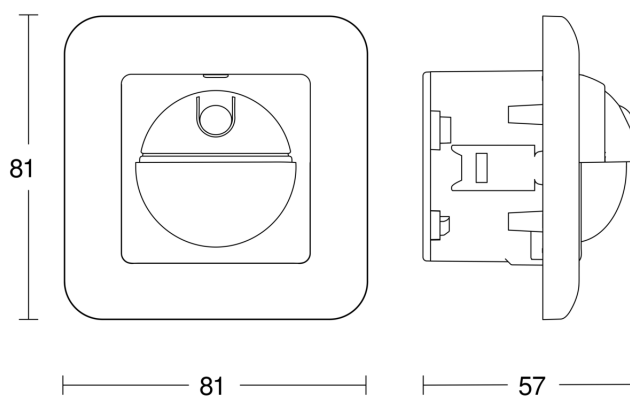
Type	Motion detectors	Fluorescent lamps, uncorrected	150 VA
Dimensions (L x W x H)	57 x 81 x 81 mm	Fluorescent lamps, series-corrected	150 VA
Mains power supply	220 – 240 V / 50 – 60 Hz	Switching output 1, low-voltage halogen lamps	200 VA
Sensor Technology	passive infrared	LED lamps	40 W
Application, place	Indoors	LED lamps > 2 W	100 W
Installation site	wall	LED lamps > 8 W	160 W
Installation	Concealed wiring	Capacitive load in μF	132 μF
Mounting height	1,10 – 2,2 m	Constant-lighting control	No
Reach, radial	$r = 2 \text{ m}$ (6 m^2)	Basic light level function	No
Reach, tangential	$r = 8 \text{ m}$ (101 m^2)	Settings via	Potentiometers
Detection angle	180°	With remote control	No
Angle of aperture	90°	Interconnection	No
Optimum mounting height	1,1 m	IP-rating	IP20
Mechanical scalability	No	Material	Plastic
Sneak-by guard	Yes	Ambient temperature	$0 - 40^\circ\text{C}$
Capability of masking out individual segments	No	Application, room	corridor / aisle, function room / ancillary room, kitchenette, stairwell, WC / washroom, Indoors
Electronic scalability	No	Colour	white
Twilight setting TEACH	No	Colour, RAL	9010
Twilight setting	2 – 1000 lx	IDs, certificates	VDE
Time setting	5 s – 30 Min.	Manufacturer's Warranty	5 years
Fluorescent lamps, electronic ballast	150 W	PU1, EAN	4007841065003

Detection Zone



Mögliche Montagehöhe: 1,10 m – 2,20 m
Orange: radial
Schwarz: tangential

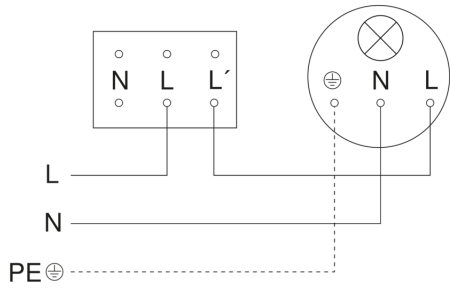
Dimension Drawing



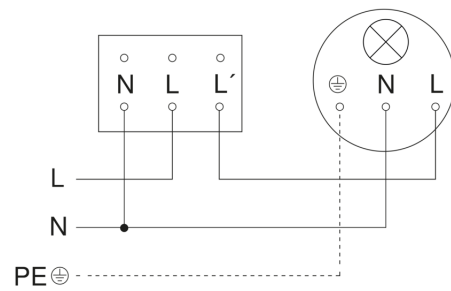
IR 2180 UP ECO

EAN 4007841 065003
Article number 065003

2-wire circuit diagram



3-wire circuit diagram



Circuit diagram for interconnecting several sensors

