

## Product Datasheet



Products Family : Bulbs  
Products Name : LED GU10 Bulbs

### Datasheet is valid for following Model numbers

Product Code	CCT
BA24-00550	2700K
BA24-00551	4000K
BA24-00553	6500K

Manufacturer:  
Demgrup international lighting limited  
unit d 16/f,one capital place,18 luard road  
wan chai, Hong Kong  
[www.demgrup.com.tr](http://www.demgrup.com.tr)

Importer/Brand Owner:  
Braytron S.R.L  
Bulevardul iuliu maniu,nr.616, corp B  
etaj 3 sector 6,061129 bucuresti, Romania  
[info@braytron.com](mailto:info@braytron.com) [www.braytron.com](http://www.braytron.com)

**Test condition:light for 15 mins under nominal voltage input and 25°C±1°working environment**

## General Characteristics

- Family : Bulbs
- Sub Family : LED GU10 Bulbs
- Mounting Type : Socket
- Socket : GU10
- Lamp Shape : Directional
- Dimmable : No(Optional)
- Light Source : LED
- Warranty : 2 years

## Lamp Characteristics

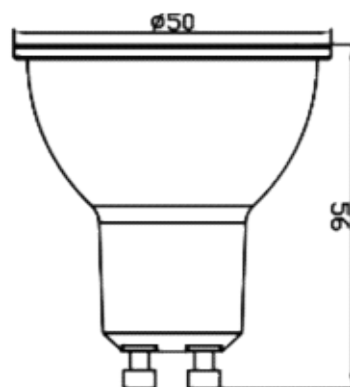
- Wattage : 5 w
- Equivalent : 50 w
- Color Temperatue : 2700K/4000K/6500K
- Color Category : Warm White/Natural White/Cool White
- Luminous Flux : 400 lm
- Color Rendering Index(CRI) : > 80
- Energy Efficiency Level : A+
- Beam Angle : 110 Degree(s)
- Chromaticity(SDCM) : < 6

## Electrical Characteristics

- Lifetime (at 2.7 hrs/day) : 15000 h
- Voltage : 220-240 V
- Frequency : 50-60 Hz
- Current : 43 mA
- Power Factor : > 0.5
- Starting Time : < 0.5 s
- Lumen Maintenance Factor : 0.7
- Number of Switch Cycles : > 12500
- Material : Plastic+Aluminium
- Working Temperature : -20°C~+45°C
- Storage Temperature : -20°C~+60°C
- Environment humidity(working) : 10%~60%

## Lamp Dimensions & Weight

- Diameter : 50 mm
- Height : 56 mm
- Weight(Net) : 27 gr



## Reliability requirements

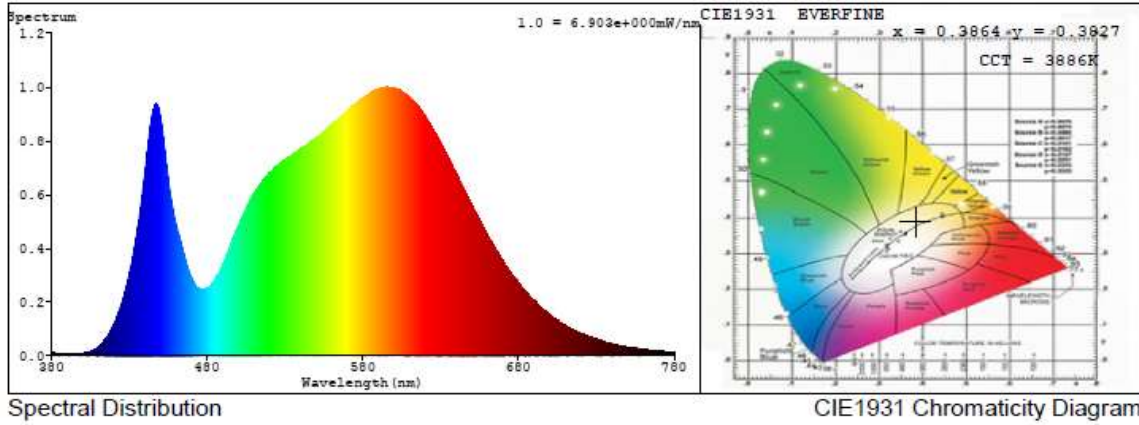
- Lumen maintenance : Lumen maintenance is not lower than 92% after lighting for 3000h,and not lower than 88% after lighting for 6000H and not lower than 70% after lighting for 70% of lifespan
- Working life : Under nominal voltage input, working life is forced not lower than 15000h in 25°C±1°C

## Remarks:

Declared values above may vary ±%10



## Optical and electrical test parameter:



### Colorimetric Parameters

Chromaticity Coordinate:  $x = 0.3864$   $y = 0.3827$  /  $u' = 0.2266$   $v' = 0.5051$  ( $duv=1.08e-03$ )  $Dx, Dy: 0.0000, 0.0000$

CCT= 3886K Prcp WL:  $L_d=579.0nm$  Purity=30.8%

Peak WL:  $L_p=596nm$  FWHM:  $=154.2nm$  Ratio: R=18.7% G=78.1% B=3.2%

Render Index:  $R_a = 83.3$

R1 =82 R2 =88 R3 =93 R4 =84 R5 =82 R6 =84 R7 =87

R8 =67 R9 =14 R10=71 R11=83 R12=67 R13=83 R14=96 R15=76

### Photometric & Radiometric Parameters

Flux = 401.55 lm Eff. : 80.24 lm/W  $P_e = 1.2355 W$

### Electrical parameters

V = 230.1 V I = 0.03900 A P = 5.004 W PF = 0.5576