

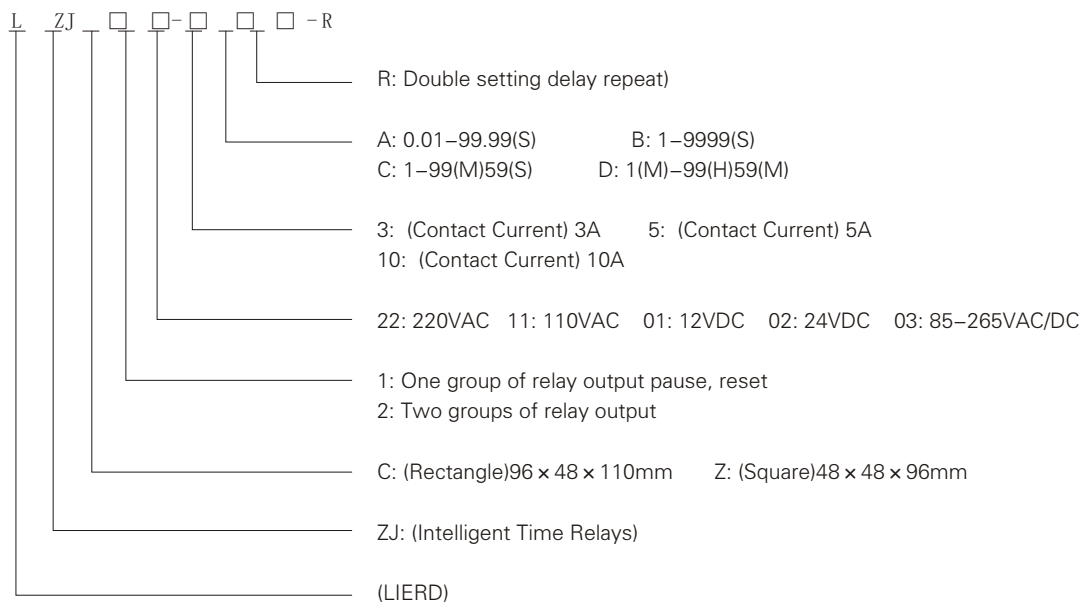
INTELLIGENCE TIME RELAY SERIES



Features

- High bright double LED display, 0.36 inch or 0.56 inch
- Multiple time Ranges…… (4 ranges)
- High accuracy timing
- Press key setting, multi-output mode
- Buzzer operate warning

Ordering code



Specifications

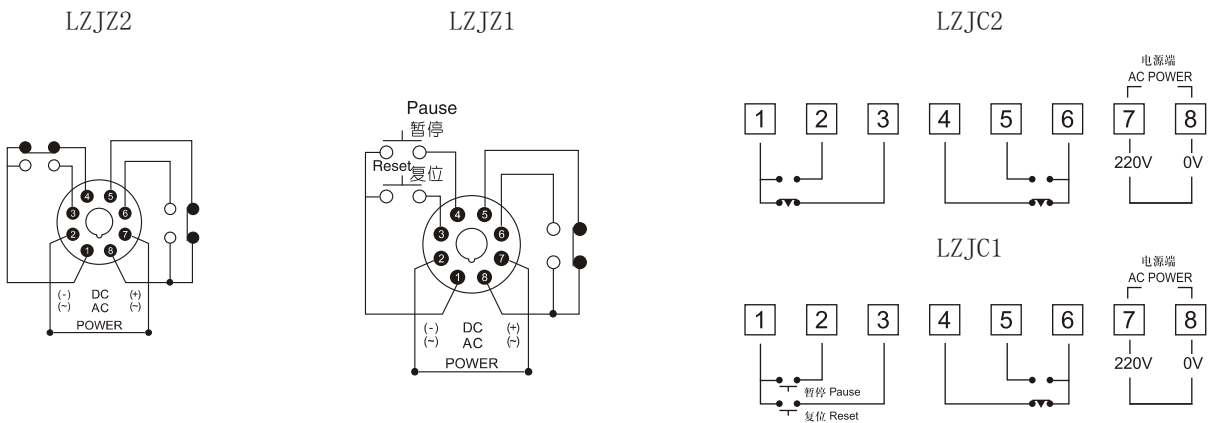
Power supply	50Hz/60Hz AC 220V/110V ± 10%85-265VAC/DC, DC12V, DC24V
Power consumption	≤4.5VA
Accuracy	±0.01%
Reset time	< 0.1S
Contact load	AC250V 10A AC 250V 10A Resistive load
Environment temperature	0°C~+50°C
Working life	Electrical life:105times,under rated situation
	Mechanical life: Over ten million (AT 1.8kcp/H working frequency and N0 load)

Relays working mode introduce

Mode code	Relays operate mode
H-. on; d-. OF	When meter working, relays operate while reaching setting value
H-. oF; d-. OF	When meter not working (Through "reset" or "reset terminal" make the meter working), relays operate while reaching setting number
H-. on; d-. on	Turn-on meter working, relays operate, when reaching setting Value relays release
H-. oF; d-. on	Turn-on meter not working, relays operate (Through "reset" or "reset terminal" make the meter working), relays release reaching setting value

Above four modes setting operated as follows: before turn-on, press the "reset", not relaxing, when turn-on, LED shows any of above four modes, then through "V" "Λ" key select one, then press "set", and cut off the power, then turn-on again, you can reach your demand.

Connection diagram



The outside dimensions and mounting

