



Интелигентни Релета за време от серия LZJ

Four:use instruction:

1. display:

When normal working, above line four LED numbers show the number of delaying; below line four LED numbers show the number of setting. When the model of the meter with "R", (this means double-setting repeat delay). When normal working, above four LED numbers show the present time number of relays release or operate

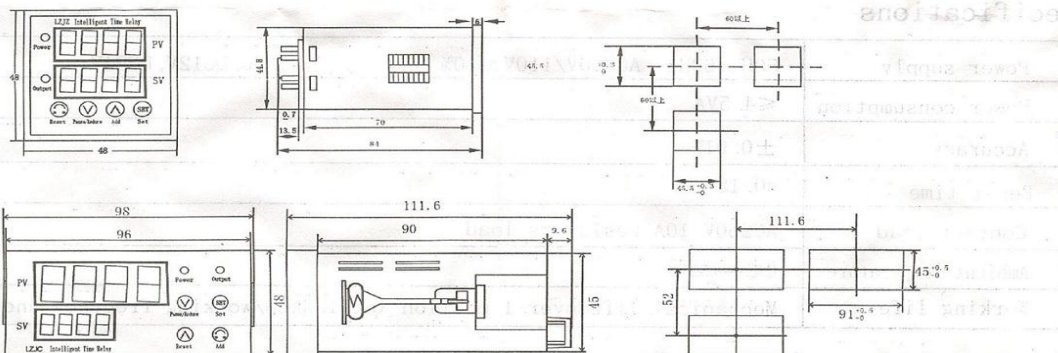
2. function key:

"Set" key (SET): when setting, which can select some two numbers, and the numbers will be flashed when they are selected. All finished press this key to assure. Add(\wedge): when setting, after pressing "set", press this key can changed the flashing number, this number only can be added. Pause/reduce(\vee): when setting, after pressing "set", pressing this key can change the flashing number, this number only can be reduced. When meter normal working, press this key, delaying stop; relax this key, delaying continue; using this function can be as relay. reset(\odot): when normal working, press "reset", meter renews first state; relax "reset", Meter begin to delay, in addition, which can be set relays working mode (detail see third point).

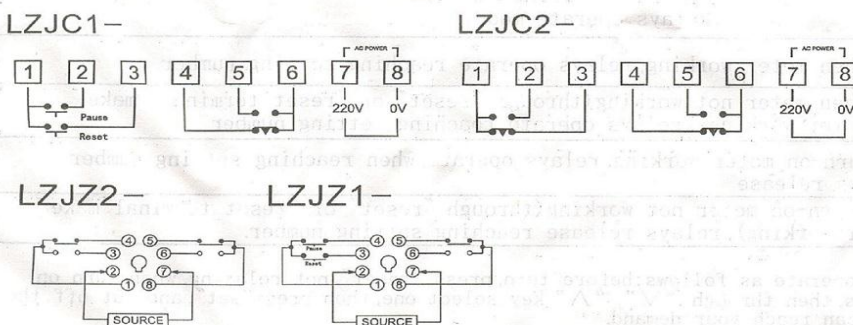
3. number of delay setting:

Among the display range, use "SET" " \vee " " \wedge " can set the number of delaying naturally, First press "SET" Below line two numbers show LED flashing, second press " \vee " or " \wedge ", set two behind numbers, then press "set" to assure. When the model of meter with "R", relays release time; operate set: among the display range, using "SET" " \vee " " \wedge ", which can set the time of relays release and operate. Detail is as follows: First press "set", above line, front two numbers show flashing, press " \vee " or " \wedge " setting numbers then press "set", Above line behind two numbers show flashing, press " \vee " or " \wedge " setting numbers, which finish to setting the time of operate; Now press "set" again, same method setting below line, which finish to setting the time of release. At last press "set" to assure, all finish. (Note: in the course of all setting have the voice of operate warning, two-short voice means setting wrong, one-short voice means setting normal, three-short voice means setting finish.

五. outside dimensions and mounting



六. connection diagram

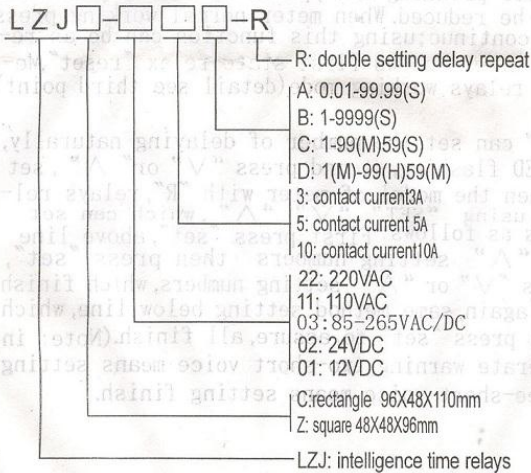


INTELLIGENCE TIME RELAY SERIES

LZJ intelligence time relay series collect general time relays of home and abroad, each model have many output mode. The characteristic is as follows:

- * international general cover dimension
- * multiple time range
- * press, key setting, multi-output mode
- * double color high bright LED display
- * high accuracy for timer
- * buzzer operate warning

一. ORDERING CODE:



二. specifications

Power supply	50Hz/60Hz AC220V/110V±10% or 85-265VAC/DC, DC12V, DC24V
Power consumption	≤4.5VA
Accuracy	±0.01%
Reset time	<0.1S
Contact load	AC250V 10A resistors load
Ambient temperature	0°C~+50°C
Working life	Mechanical life:over 1 million (at 1.8kcp/working frequency and none load)

三. relays working mode introduce

Mode code	Relays operate mode
H-. on d-. oF	When meter working, relays operate reaching setting number
H-. oF d-. oF	When meter not working(through "reset" or "reset terminal" make the meter working), relays operate reaching setting number
H-. on d-. on	Turn-on meter working, relays operate, when reaching setting number relays release
H-. oF d-. on	Turn-on meter not working(through "reset" or "reset terminal" make meter working), relays release reaching setting number.

Above four modes setting operate as follows: before turn, press "reset", not relaxing, when turn on, LED show any of above four modes, then through "V" "∧" key select one, then press "set", and cut off the power, then turn-on again, you can reach your demand.

ВИКИВАТ ЕООД – КОГАТО СТАВА ВЪПРОС ЗА ЕЛЕКТРОНИКА!

