

Product Datasheet



Products Family : Garden Wall Lighting Fixture
Products Name : E27 Garden Wall Light

Datasheet is valid for following Model numbers

Product Code	Body Color
BG44-20100	White
BG44-20101	Black

Manufacturer:
Demgrup international lighting limited
unit d 16/f,one capital place,18 luard road
wan chai, Hong Kong
www.demgrup.com.tr

Importer/Brand Owner:
Braytron S.R.L
Bulevardul iuliu maniu,nr.616, corp B
etaj 3 sector 6,061129 bucuresti, Romania
info@braytron.com www.braytron.com

Test condition:light for 15 mins under nominal voltage input and 25°C±1°working environment

General Characteristics

- Family : Garden Wall Lighting Fixture
- Sub Family : E27 Garden Wall Light
- Mounting Type : Surface Mounting
- Socket : 1xE27
- IP : IP44
- Warranty : 2 years
- Class : Class II

Sensor Characteristics

- Sensor Height : 2.5 m
- Sensor Width : 3 m - 8 m
- Sensor Starting Time : 1.53 s
- Sensor Working Time : 10 s

Electrical Characteristics

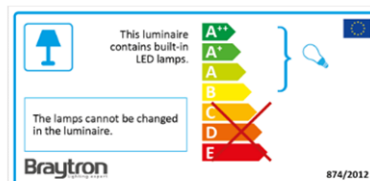
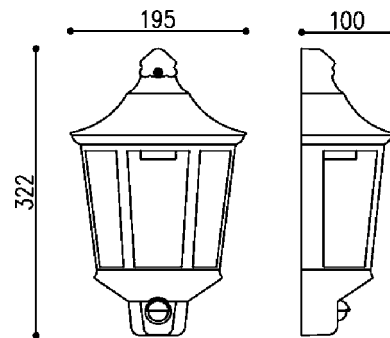
- Voltage : 220-240 V
- Frequency : 50-60 Hz
- Material : Plastic

Lamp Dimensions & Weight

- Length : 195 mm
- Width : 100 mm
- Height : 322 mm
- Weight(Net) : 400 gr

Lamp Characteristics

- Wattage : Max. 1x23 w



Products user manual:

