

TERMSERIES TOS 24-230VUC 24VDC3,5A

Weidmüller Interface GmbH & Co. KG
 Klingenbergstraße 16
 D-32758 Detmold
 Germany
 Fon: +49 5231 14-0
 Fax: +49 5231 14-292083
 www.weidmueller.com



TERMSERIES complete solid-state relay modules 3 to 33 VDC 3.5 A output versions consisting of a solid-state relay and a base with DC or UC input; available in different versions:

- With screw connection
- In 12.8 mm width
- Optionally with multiple-voltage input: 24 to 230 V UC
- Optionally with free-wheel diode on input
- Illuminated ejection lever

General ordering data

Type	TOS 24-230VUC 24VDC3,5A
Order No.	1127640000
Version	TERMSERIES, Solid-state relay, Rated control voltage: 24...230 V UC $\pm 10\%$, Rated switching voltage: 3...33 V DC, Rated switching current: 3.5 A, Screw connection
GTIN (EAN)	4032248909216
Qty.	10 pc(s).

**TERMSERIES
TOS 24-230VUC 24VDC3,5A**

Weidmüller Interface GmbH & Co. KG
 Klingenbergstraße 16
 D-32758 Detmold
 Germany
 Fon: +49 5231 14-0
 Fax: +49 5231 14-292083
 www.weidmueller.com

Technical data
Dimensions and weights

Width	12.8 mm	Height	90 mm
Depth	88 mm	Weight	60 g
Net weight	55 g		

Temperatures

Humidity	5–95% rel. humidity, $T_u = 40^\circ\text{C}$, no condensation	Operating temperature	-20 °C...+60 °C
Storage temperature	-40 °C...+85 °C		

Probability of failure

MTTF	936 Years
------	-----------

control side

Cut-in dropout voltage	12 V / 6 V AC 12 V / 5 V DC	Rated control voltage	24...230 V UC $\pm 10\%$
Nominal control current	22 mA @ 24 V DC, 4 mA @ 230 V AC	Power rating	530 mW @ 24 V DC, 930 mVA @ 230 V AC
Input frequency	3 Hz	Protective circuit, control side	Rectifier
Status display on control side	Green LED		

Load side

Solid-state type	MOS-FET	Rated switching voltage	3...33 V DC
Continuous current	3.5 A	Rated switching current	3.5 A
Switch-on delay	≤ 10 ms	Switch-off delay	< 75 ms
Leakage current	$< 10 \mu\text{A}$	Protective circuit, load side	Integrated free-wheel diode
Voltage drop at max. load	≤ 0.3 V	Short-circuit-proof	No

General data

Solid-state type	MOS-FET	No. of poles	1
Wire connection method	Screw connection	Humidity	5–95% rel. humidity, $T_u = 40^\circ\text{C}$, no condensation
UL 94 flammability rating	V-0	Standards	DIN EN 50178

Insulation coordination

Rated voltage	300 V	Clearance and creepage distances for control side - load side	≥ 5.5 mm
Dielectric strength to mounting rail	4 kV _{eff} / 1 min.	Impulse withstand voltage	6 kV (1.2/50 μs)
Pollution severity	2	Surge voltage category	III

Further details of approvals / standards

Certificate No. (GERMLLOYD)	47053-12	Certificate no. (cULus)	E141197
Standards	DIN EN 50178		

Data sheet

TERMSERIES
TOS 24-230VUC 24VDC3,5A

Weidmüller Interface GmbH & Co. KG
 Klingenbergstraße 16
 D-32758 Detmold
 Germany
 Fon: +49 5231 14-0
 Fax: +49 5231 14-292083
 www.weidmueller.com

Technical data

Connection data

Clamping range, rated connection	1.5 mm ²	Clamping range, rated connection, max.	1.5 mm ²
Clamping range, rated connection, min.	0.14 mm ²	Stripping length, rated connection	8 mm
Tightening torque, max.	0.4 Nm	Wire connection method	Screw connection

Classifications

eClass 6.2	27-27-09-90	eClass 7.1	27-27-09-90
------------	-------------	------------	-------------

Product information

Descriptive text ordering data	Spare solid-state relay Type: SSR 10-32 V DC/0-35 V DC 5 A Orderno.: 1132310000
Descriptive text technical data	Accessories and dimensional drawings: refer to the TERMSERIES Accessories page.

Approvals

Approvals



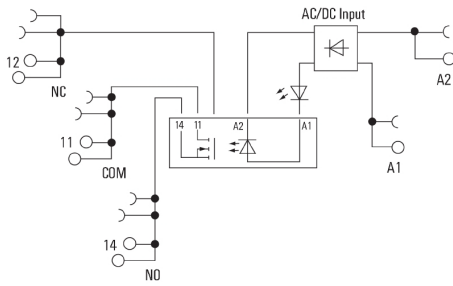
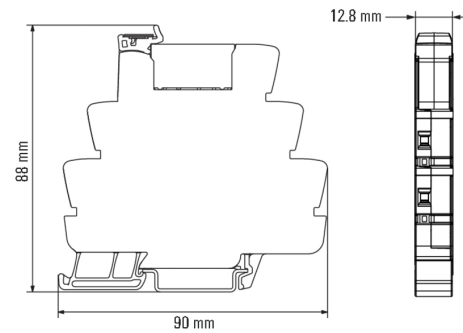
ROHS	Conform
------	---------

Downloads

Declaration of Conformity	K474_08_12.pdf
PDF	Operating Instructions
	3-D model

Data sheet**TERMSERIES
TOS 24-230VUC 24VDC3,5A**

Weidmüller Interface GmbH & Co. KG
Klingenbergstraße 16
D-32758 Detmold
Germany
Fon: +49 5231 14-0
Fax: +49 5231 14-292083
www.weidmueller.com

Drawings**Circuit diagram****Dimensioned drawing**

Data sheet

**TERMSERIES
TOS 24-230VUC 24VDC3,5A**

Weidmüller Interface GmbH & Co. KG
 Klingenbergstraße 16
 D-32758 Detmold
 Germany
 Fon: +49 5231 14-0
 Fax: +49 5231 14-292083
 www.weidmueller.com

Drawings

Type codes

