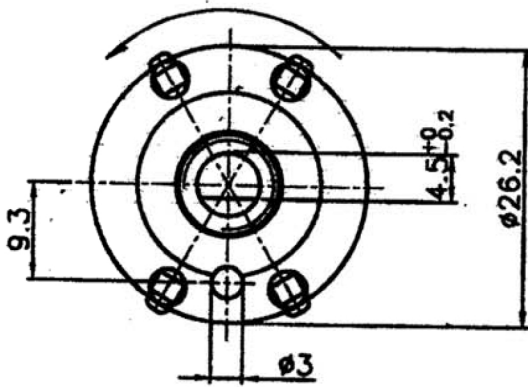
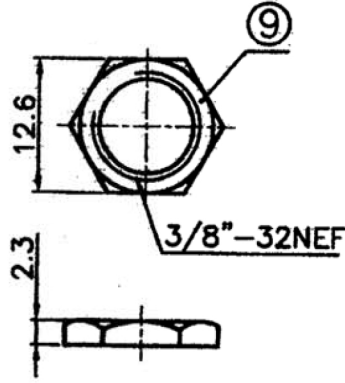


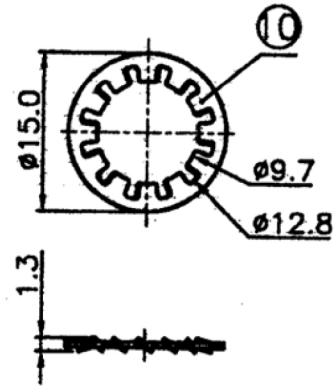
SHAFT SHOWN IN FULL C.C.W POSITION



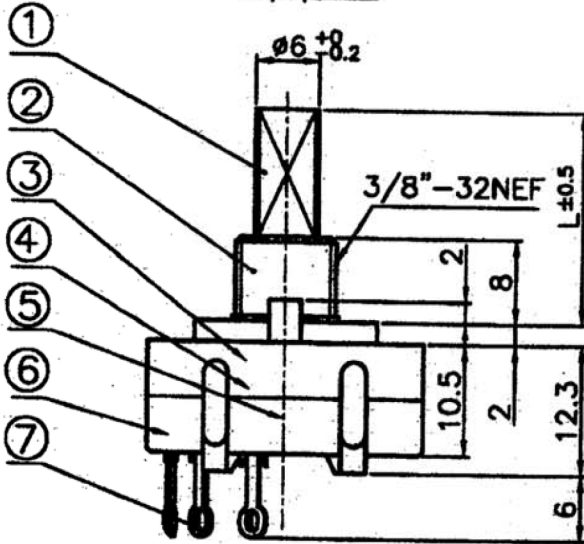
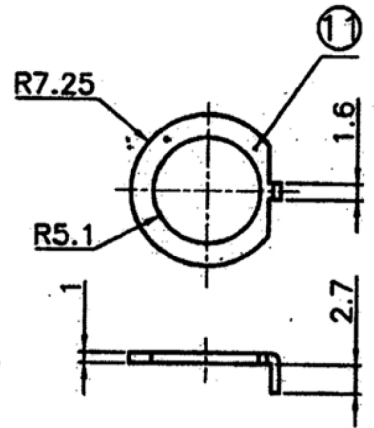
NUT 1PC



WASHER 1PC t=0.5

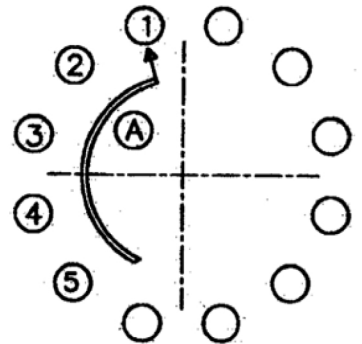
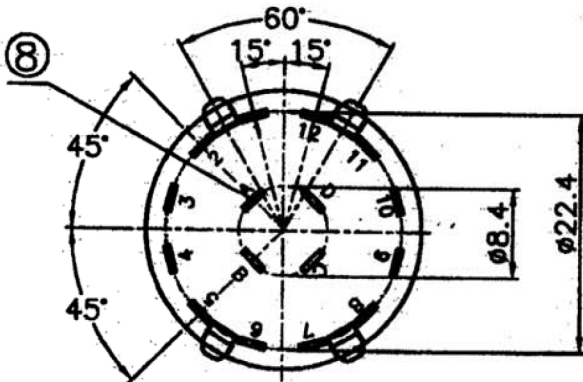


LOCK WASHER 1PCS



Ninigi

SCHEMATIC



11	SR2630	Lock Washer	1	SPCE-t=1.0	MFN-II				
10	W-3/8"	Washer	1	Stell t=0.5	Zinc Plating				
9	N-3/8"	NUT	1	Stell t=2.3	Zinc Plating				
8	SR26105-6	Internal terminal	1	Brass	Silver Plating				
7	SR26105N	External terminal	5	Brass	Silver Plating				
6	SR2611-4C	Element	1	NYLON+30%FB	No Plating				
5	SR2527	Stell Ball	2	Stell	Silver Plating				
4	SR2615	Spring	1	SWPA	Silver Plating				
3	SR2606A	Contact Plate	1	Phosphor-bronze	Silver Plating	△			
2	SR2609	Case	1	NYLON+30%FB	No Plating	△			
1	SR2601-	F Shaft	1	POM	No Plating	△			

	MODEL	L	MODEL	L
✓	15F	15	13F	13
	20F	20	18F	18
	25F	25	23F	23
	30F	30	28F	28
	38F	38	33F	33
	21F	21		

NO	Part No	Description	QTY	Material	Finishing	MODEL	SR261-1-5-15F-N	A
TOLERANCES		DIMENSION	SCALE	DRAWN BY	CHECKED BY	APPROVED BY	DRAWING NO.	
less than	10	± 0.3	m/m	/			SR261-056	
above	10 - 30	± 0.5						
above	30 - 100	± 1.0						
angular dimension		± 5°	Switch\SR26\Spec					