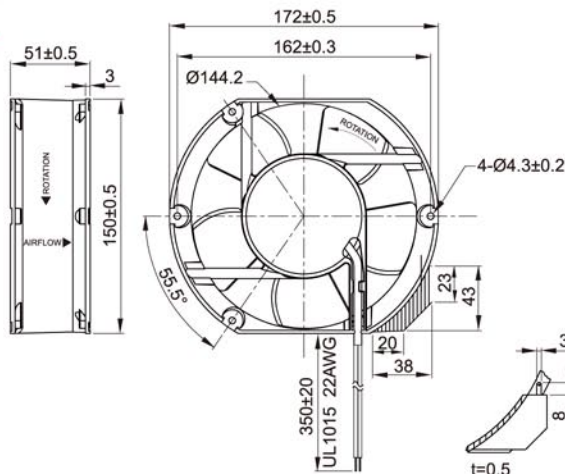


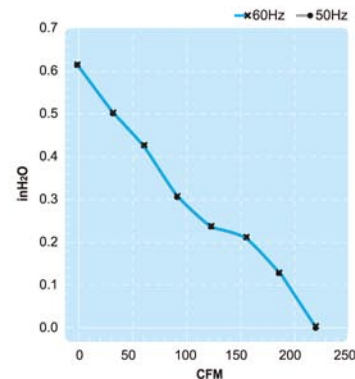
UFT15PBPB Series

EC FAN

Size : 172 x 150 x 51
Unit : mm



(Axial Fan)



Electronically-Protected

Terminal or Lead Wire Type



Spec.	Rated Voltage	Frequency	Input Power	Rated Current	Locked Current	Speed	Maximum Air Flow	Maximum Air Flow	Maximum Pressure	Maximum Pressure	Noise	Weight
Model	V	Hz	W	A	A	RPM	m ³ /min.	CFM	mmH ₂ O	InchH ₂ O	dB	kg
UFT15PBPB11M1D4A	115	50/60	15	0.23	0.25	3000	6.2	220	15.7	0.62	57	0.7
UFT15PBPB23M1D4A	230	50/60	15	0.13	0.47	3000	6.2	220	15.7	0.62	57	0.7