

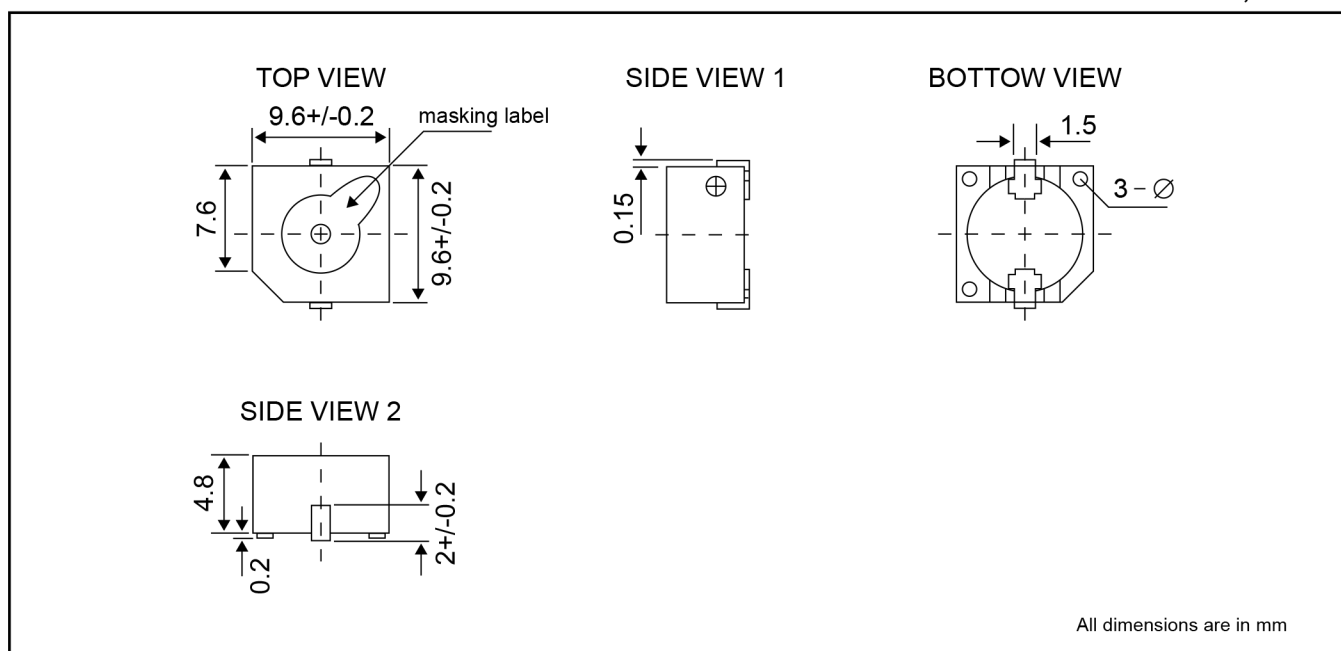
Magnetic Buzzer

SMB11 series



DIMENSIONS

Date : 18 Jun, 2007



Ref. no.: CS131-R

Remark : RoHS compliance

ELECTRICAL SPECIFICATIONS

Model No.		LD-BZEL-B11-0909
Operating Voltage	[VDC]	2 ~ 5
Rated Voltage	[VDC]	3
* Max. Rated Current	[mA]	30
* Min. Sound Output	[dBA /10cm]	85
* Frequency	[Hz]	2700 +/- 300
Tone Nature		Single
Operating Temperature	[°C]	-30 ~ +85
Terminal		SMD
Housing Material		PPS
Colour		Black
Weight	[gm]	1

*Value applying at rated voltage