

NOTES:

1. MATERIALS AND FINISHES:

- FERRULE - BRASS, BRIGHT TIN PLATING
- BODY - BRASS, BRIGHT TIN PLATING
- CONTACT - BRASS, BRIGHT TIN PLATING
- COUPLING NUT - BRASS, BRIGHT TIN PLATING
- INSULATOR - PTFE NATURAL

2. ELECTRICAL:

- A. IMPEDANCE: 75 OHM, NOMINAL
- B. FREQUENCY RANGE: 0-1 GHz
- C. D.W.V: 1500 VRMS, MIN.

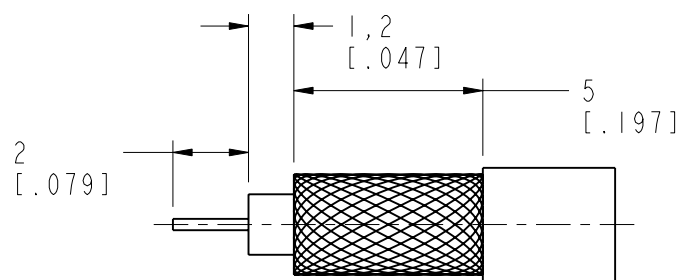
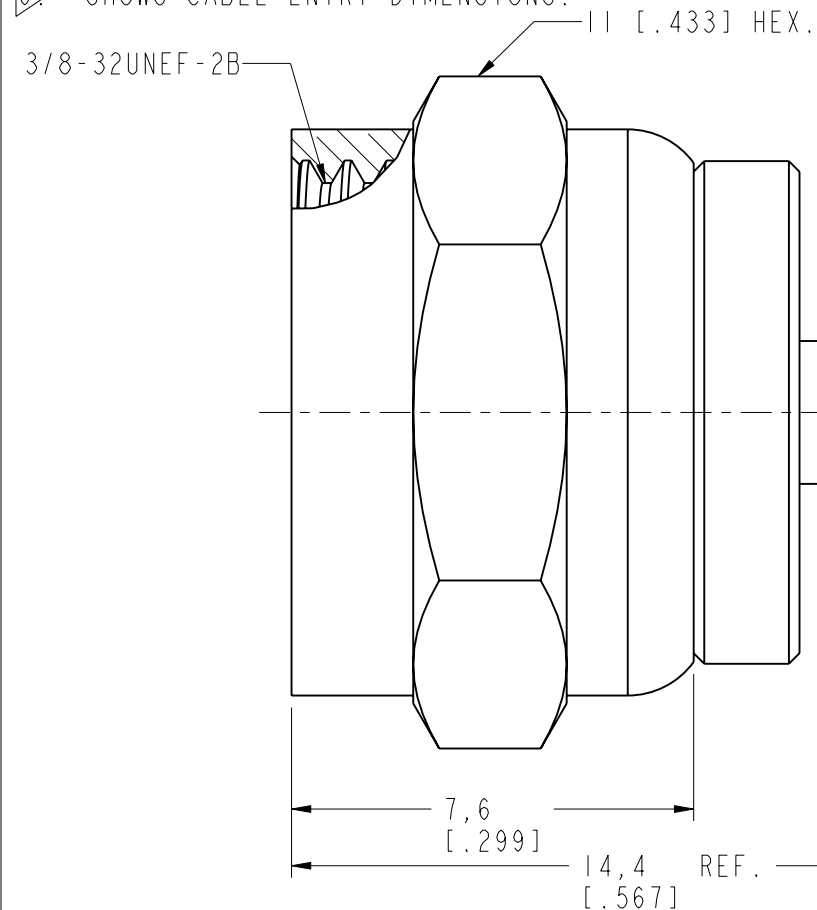
3. MECHANICAL:

- A. DURABILITY: 100 CYCLES MIN.
- B. TEMPERATURE RANGE: -40°C TO +140°C

4. CRIMPED FERRULE HEX CRIMP SIZE .128"

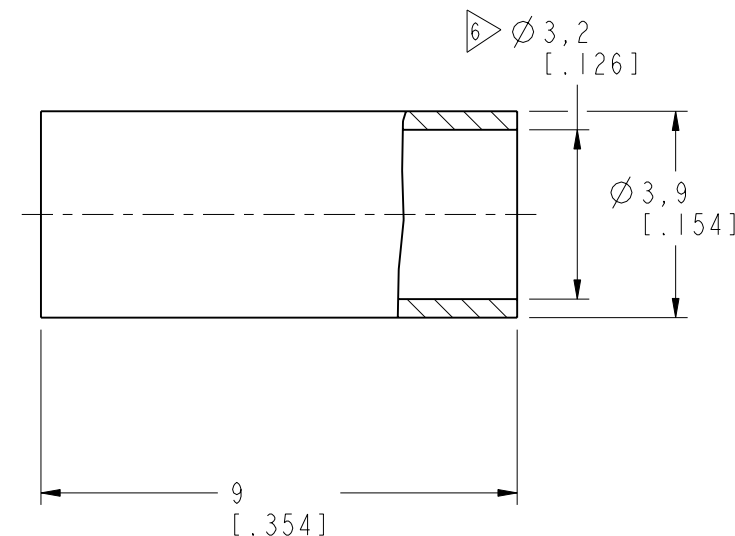
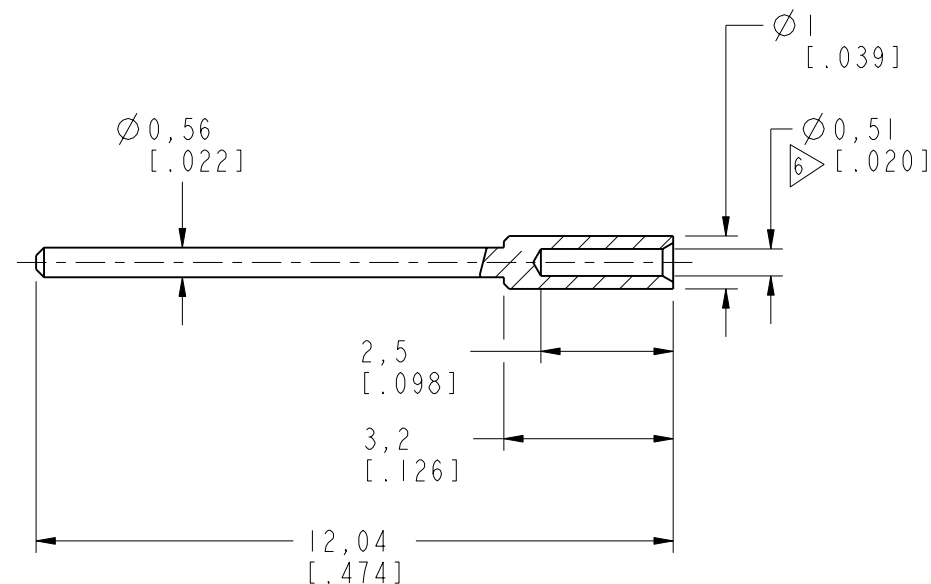
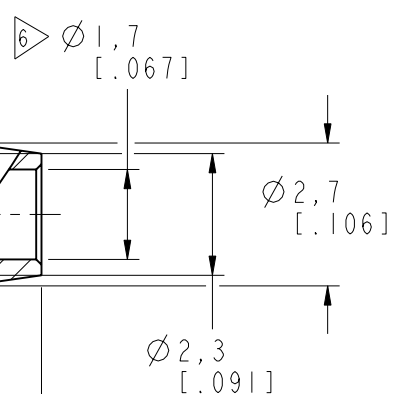
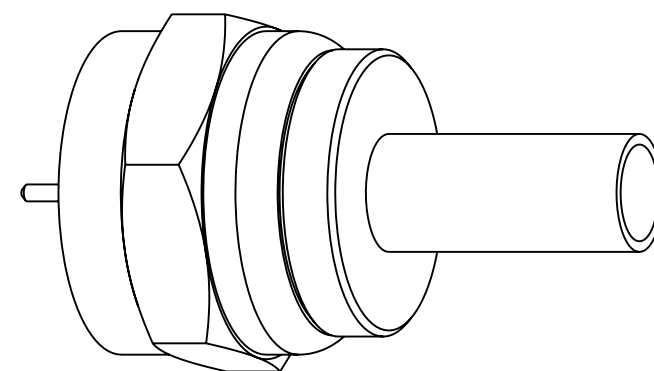
5. CRIMPED CONTACT PIN 413 SP 00 ADJUST TO 4

6. SHOWS CABLE ENTRY DIMENSIONS.



RECOMMENDED
CABLE STRIPPING DIM'S

REVISIONS				
REV	DESCRIPTION	DATE	ECN	APPR
A	REDIMENSION AND ADD NOTES	21-Jul-98	-----	GRS
B	UPDATE DRAWING FORMAT	19-May-03	-----	GRS
C	MODIFY PLATING SPECS	10-Feb-04	-----	GRS
D	REVISE ALL PLATING TO BRT. TIN	30-Sep-05	-----	GRS
E	UPDATE COMPONENT DIMENSIONS	14-Nov-05	-----	GRS
F	REVISE PLATING TO NICKEL	09-Dec-08	100063	GRS
G	SYNC. \RD-DM16112101K2	08-Dec-16	-----	SH
H	THE CONTACT WAS CHANGED	10-May-19	11461	SH



CUSTOMER OUTLINE DRAWING
ALL OTHER SHEETS ARE FOR INTERNAL USE ONLY

UNLESS OTHERWISE SPECIFIED, DIMENSIONS ARE IN METRIC AND TOLERANCES ARE:
 <0.5mm ±0.05mm 0.5 - 6mm ±0.1mm 6 - 30mm ±0.2mm 30 - 120mm ±0.3mm ANGLES ±1°

NOTICE - These drawings, specifications, or other data (1) are, and remain the property of Amphenol corp. (2) must be returned upon request; and (3) are confidential and not to be disclosed to any person other than those to whom they are given by Amphenol Corp. the furnishing of these drawings, specifications, or other data by Amphenol Corp., or to any other person to anyone for any purpose is not to be regarded by implication or otherwise in any manner licensing, granting rights to permitting such holder or any other person to manufacture, use or sell any product, process or design, patented or otherwise, that may in any way be related to or disclosed by said drawings, specifications, or other data.

MATERIAL	
REFERENCE	
EAR#	
REF:	
CONFIGURATION LEVEL:	In Work
FINISH	

DRAWN	M. ZHANG	DATE	10-May-19
ENGINEER	GRS	DATE	09-Dec-08
APPROVED	S. HSIEH	DATE	10-May-19
CAD FILE			

TITLE	
F CRIMP PLUG-75 OHM (FOR RG-179/U CABLE)	
SCALE: 3.0:1.0	SHEET 2 OF 2
DWG SIZE	REV
B	H

Amphenol RF	
www.amphenolrf.com	
DRAWING NO. F1111A1-002-TTT-179U-75	
ITEM NO. 041111AAF19TB7F	
PART NO. 222113	