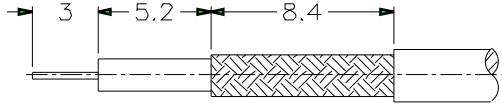
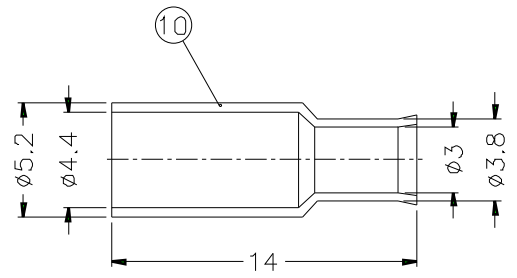
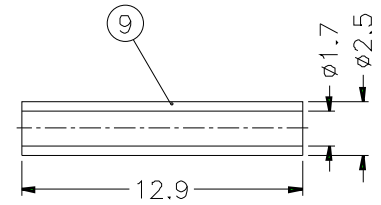
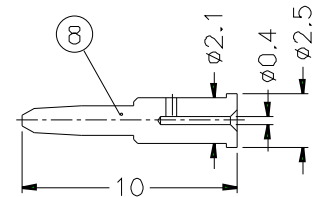
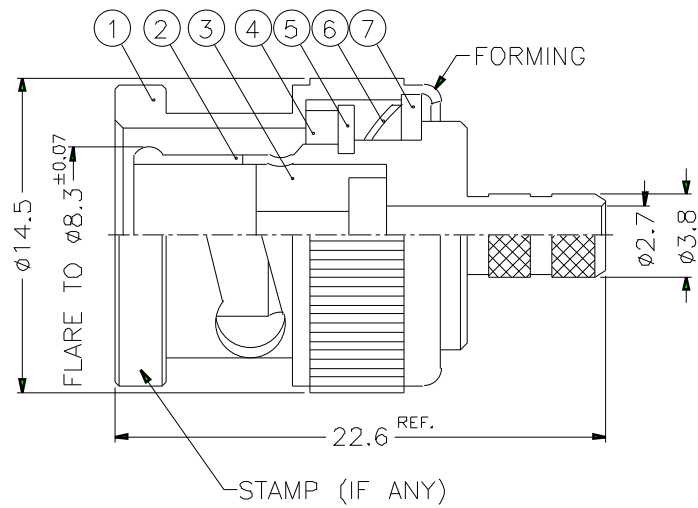


1	2		3	4	5	6	7	8
REVISIONS								
ISS	ZONE	DESCRIPTION\PER REQUEST\DATE						



RECOMMENDED
CABLE STRIPPING DIM'S



- NOTES: FINISH (PLATING THICKNESS IN MICRO-INCHES)
1. BRASS PER QQ-B-626
 2. BRASS PER QQ-B-613
 3. NICKEL PL. 100 MIN. THICK OVER COPPER STRIKE
 4. NICKEL PL. 200 MIN. THICK OVER COPPER STRIKE
 5. GOLD PL. 3 MIN. THICK OVER NICKEL PL. 100 MIN. THICK OVER COPPER STRIKE
 6. JIS H 3260, C 3501

1. CRIMPED FERRULE
HEX CRIMP SIZE .178"
2. CRIMPED CONTACT PIN
HEX CRIMP SIZE .068"

10	FERRULE	NOTE 6	NOTE 3	1	FR-52/44-38/3X14
9	SLEEVE	DELTRIN	NATURAL	1	SL-25/17X129
8	CONTACT PIN	NOTE 1	NOTE 5	1	B3000-8-25/04
7	WASHER	NOTE 2	NOTE 3	1	WS-128/9X08
6	SPRING	SK5	NOTE 4	1	B50000-6
5	RETAINER RING	NOTE 1	NOTE 3	1	B50000-5
4	GASKET	RUBBER	RED	1	GS-115/BX15
3	INSULATOR	DELTRIN	NATURAL	1	B50002-3-75
2	BODY	NOTE 1	NOTE 3	1	B50002-2-38/27
1	SHELL	NOTE 1	NOTE 3	1	B50000-1-B
NO.	DESCRIPTION	MATERIAL	FINISH	Q'TY	DRAWING NO.

DIMENSIONS ARE IN MILLIMETERS			PART NO. B1121E1-ND3G-6-75	
UNLESS OTHERWISE SPECIFIED TOLERANCES			APPROVED	DATE
0.5-6	= ±0.2			10-11-01'
6-30	= ±0.4		CHECKED	DATE
30-120	= ±0.6			10-11-01'
120-315	= ±1		DRAWN	DATE
315-1000	= ±1.6			10-11-01'
1000-2000	= ±2.4		FILE NO.	

Amphenol

TITLE BNC CRIMP PLUG
(FOR RG-179/U,187A/U)

DRAWING NO.
KJ-B1121E1-ND3G-179U-75

ITEM NO.

1	2		3	4	5	6	7	8
---	---	--	---	---	---	---	---	---