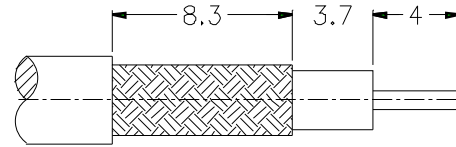
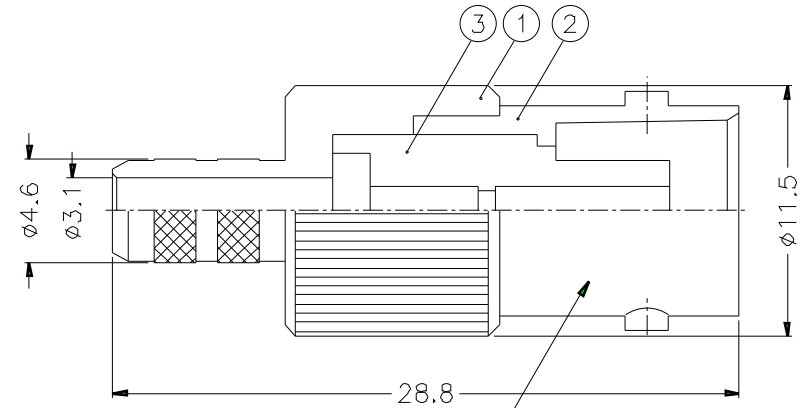
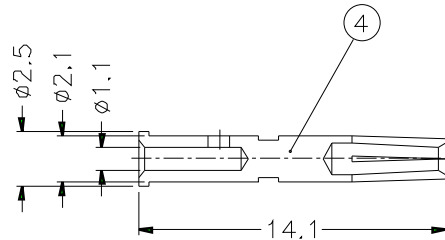
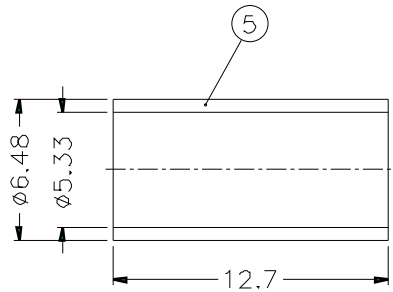


1			2			3			4			5			6			7			8		
REVISIONS																							
ISS	ZONE	DESCRIPTION\PER REQUEST\DATE																					



RECOMMENDED
CABLE STRIPPING DIM'S



STAMP (IF ANY)

- 1. CRIMPED FERRULE
HEX CRIMP SIZE .213"
- 2. CRIMPED CONTACT PIN
HEX CRIMP SIZE .068"

NOTES: FINISH (PLATING THICKNESS IN MICRO-INCHES)

- 1. BRASS PER QQ-B-626
- 2. NICKEL PL. 100 MIN. THICK OVER COPPER STRIKE
- 3. PHOSPHOR BRONZE PER QQ-B-750
- 4. GOLD PL. 3 MIN. THICK OVER NICKEL PL. 100 MIN. THICK OVER COPPER STRIKE
- 5. TEFLON MIL-P-19468

DIMENSIONS ARE IN MILLIMETERS										PART NO. B6121A1-NT3G-1-50		Amphenol	
UNLESS OTHERWISE SPECIFIED TOLERANCES										APPROVED			
0.5-6 = ±0.2												10-11-01'	
6-30 = ±0.4										CHECKED		DATE	
30-120 = ±0.6												10-11-01'	
120-315 = ±1										DRAWN		DATE	
315-1000 = ±1.6												10-11-01'	
1000-2000 = ±2.4										FILE NO		DRAWING NO.	
												KJ-B6121A1-NT3G-58CU-50	
												ITEM NO.	

5	FERRULE	COPPER	NOTE 2	1	FR-648/533X 127C
4	CONTACT PIN	NOTE 3	NOTE 4	1	B74000-8-25/11
3	INSULATOR	NOTE 5	NATURAL	1	B74000-3T-50
2	BODY	NOTE 1	NOTE 2	1	B74000-2
1	HOUSING	NOTE 1	NOTE 2	1	B70000-1-46/31
NO.	DESCRIPTION	MATERIAL	FINISH	Q'TY	DRAWING NO

1	2	3	4	5	6	7	8
---	---	---	---	---	---	---	---