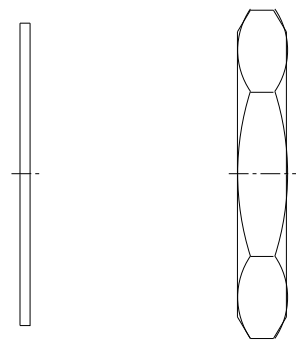
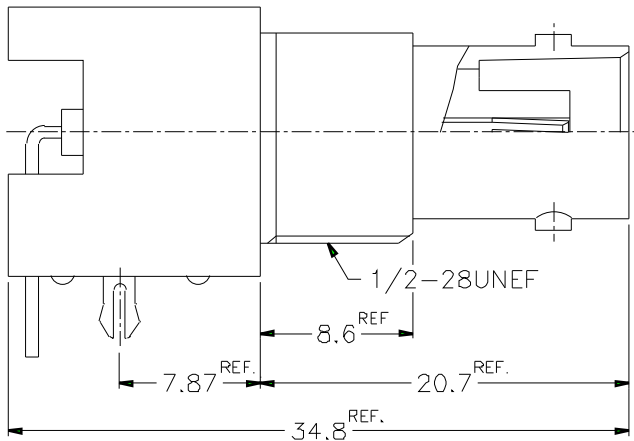
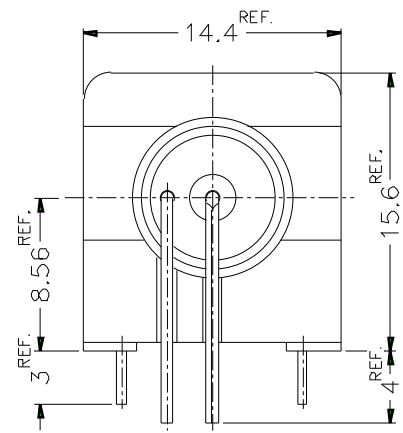
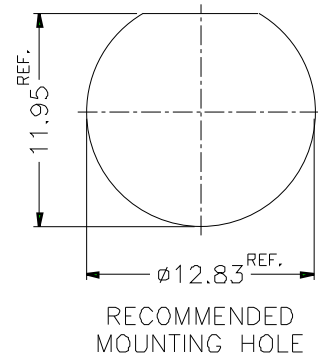
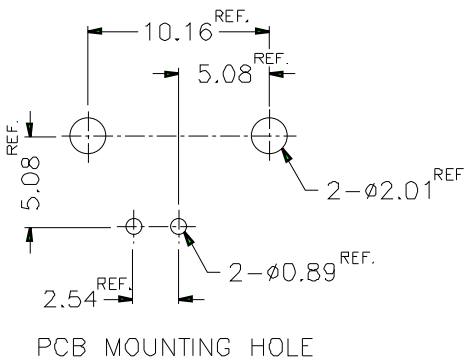


REVISIONS		
ISS	ZONE	DESCRIPTION\PER REQUEST\DATE



- NOTES: FINISH (PLATING THICKNESS IN MICRO-INCHES)
- BRASS PER QQ-B-626
 - BRASS PER QQ-B-613
 - NICKEL PL. 100 MIN. THICK OVER ZINC ALLOY
 - TIN PLATING
 - PHOSPHOR BRONZE PER QQ-B-750
 - GOLD FLASH OVER NICKEL PL. 50 MIN. THICK AT MATING AREA.
TIN-LEAD PL 100 MIN. THICK OVER NICKEL PL. 50 MIN. THICK AT TAIL.
 - ZINC DIECAST
 - POLYPROPYLENE UL 94HB
 - PBT (UL 94 V-0)

1. MAX. PANEL THICKNESS=5mm

8	HEX NUT	NOTE 1	NOTE 3		
7	LOCK WASHER	NOTE 2	NOTE 3		
6	MOUNTING POST	NOTE 2	NOTE 4		
5	POST	COPPER	NOTE 4		
4	CONTACT PIN	NOTE 5	NOTE 6		
3	INSULATOR	NOTE 8	NATURAL		
2	BODY	NOTE 7	NOTE 3		
1	HOUSING	NOTE 9	WHITE		

DIMENSIONS ARE IN MILLIMETERS

UNLESS OTHERWISE SPECIFIED TOLERANCES

0.5-6 = ±0.2
6-30 = ±0.4
30-120 = ±0.6
120-315 = ±1
315-1000 = ±1.6
1000-2000 = ±2.4

PART NO.	B6252H5-NPP3G-50	
APPROVED	DATE	10-11-01'
CHECKED	DATE	10-11-01'
DRAWN	DATE	10-11-01'
FILE NO.		

Amphenol

TITLE
BNC R/A PC MOUNT RECEPT. JACK

DRAWING NO.
KJ-B6252H5-NPP3G-50

ITEM NO.

NO.	DESCRIPTION	MATERIAL	FINISH	Q'TY	DRAWING NO.	SCALE	2.5/1	ISSUE	A	FILE NO.
-----	-------------	----------	--------	------	-------------	-------	-------	-------	---	----------