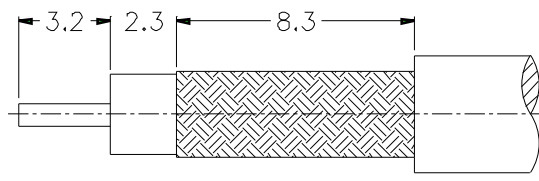
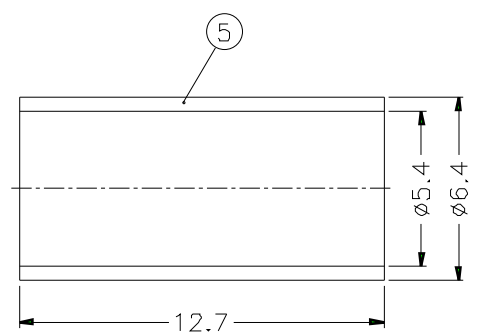
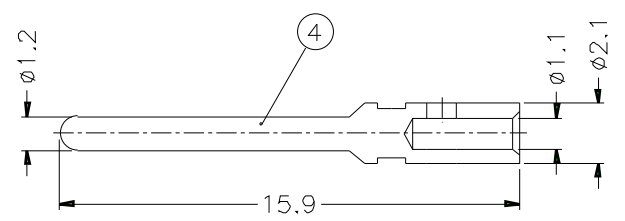
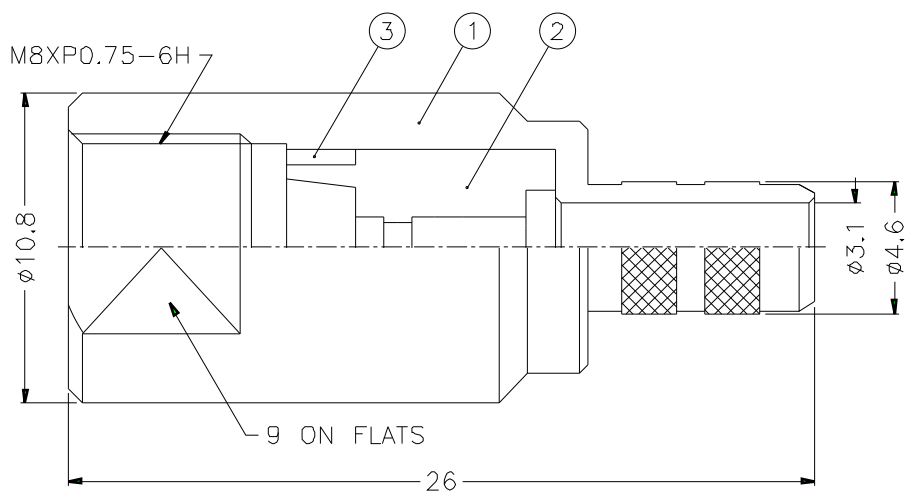


ISS		ZONE		REVISIONS			
				DESCRIPTION	PER REQUEST	DATE	



RECOMMENDED
CABLE STRIPPING DIM'S



- 1. CRIMPED FERRULE
HEX CRIMP SIZE .213"
- 2. CRIMPED CONTACT PIN
HEX CRIMP SIZE .068"

NOTES: FINISH (PLATING THICKNESS IN MICRO-INCHES)
 1. BRASS PER QQ-B-626
 2. NICKEL PL. 100 MIN. THICK OVER COPPER STRIKE
 3. GOLD PL. 3 MIN. THICK OVER NICKEL PL. 100 MIN. THICK OVER COPPER STRIKE
 4. TEFLON MIL-P-19468
 5. JIS H 3250, C 2700

NO.	DESCRIPTION	MATERIAL	FINISH	Q'TY	DRAWING NO.	SCALE	4/1	ISSUE	A	FILE NO.
5	FERRULE			1	FR-64/54X127	DIMENSIONS ARE IN MILLIMETERS UNLESS OTHERWISE SPECIFIED TOLERANCES 0.5-6 = ±0.2 6-30 = ±0.4 30-120 = ±0.6 120-315 = ±1 315-1000 = ±1.6 1000-2000 = ±2.4				
4	CONTACT PIN			1	FME1121A1-3-21/11					
3	LOCK RING			1	FME1121A3-3-B					
2	INSULATOR		NATURAL	1	FME1121A3-2T-50					
1	BODY			1	FME1121A3-1-46/31					
PART NO. FME1121A3-NT3G-1-50										
APPROVED DATE 10-11-01'										
CHECKED DATE 10-11-01'										
DRAWN DATE 10-11-01'										
TITLE FME CRIMP PLUG										
DRAWING NO. KJ-FME1121A3-NT3G-58CU-50										
ITEM NO.										

Amphenol

F
E
D
C
B
A

F
E
D
C
B
A

1 2 3 4 5 6 7 8