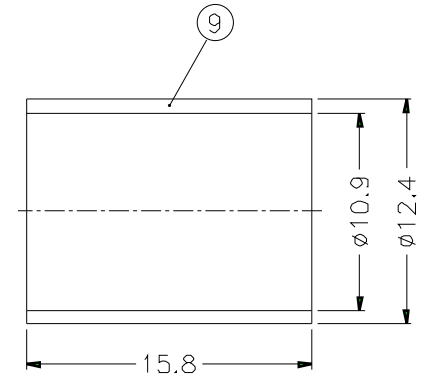
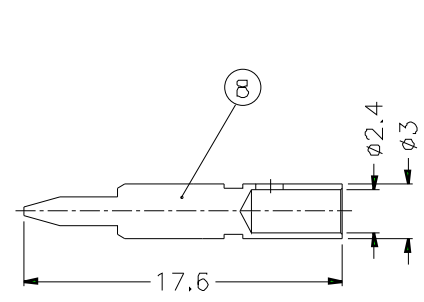
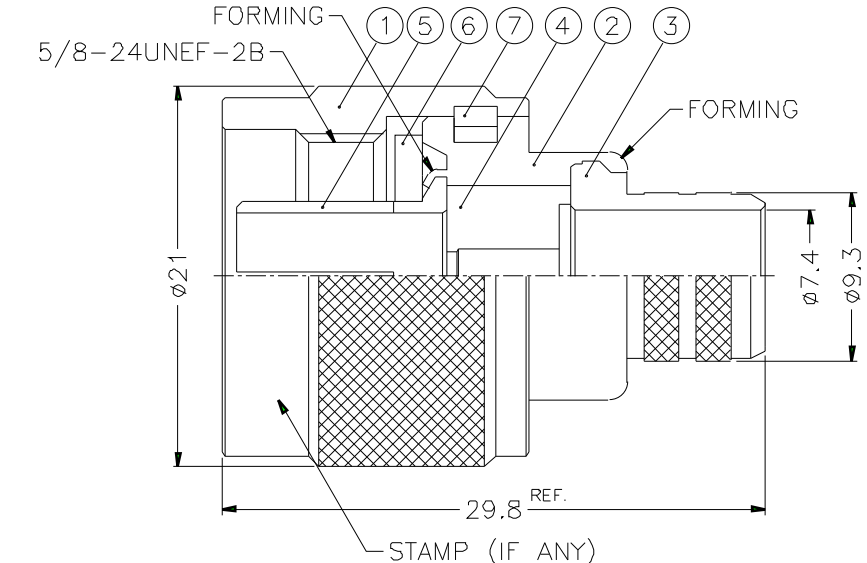


REVISIONS		
ISS	ZONE	DESCRIPTION\PER REQUEST\DATE

RECOMMENDED  
CABLE STRIPPING DIM'S



- NOTES: FINISH (PLATING THICKNESS IN MICRO-INCHES)
- BRASS PER QQ-B-626
  - NICKEL PL. 100 MIN. THICK OVER COPPER STRIKE
  - GOLD PL. 3 MIN. THICK OVER NICKEL PL. 100 MIN. THICK OVER COPPER STRIKE
  - TEFLON MIL-P-19468
  - JIS H 3250, C 2700

- CRIMPED FERRULE  
HEX CRIMP SIZE .429"
- CRIMPED CONTACT PIN  
HEX CRIMP SIZE .100"

NO.	DESCRIPTION	MATERIAL	FINISH	Q'TY	DRAWING NO.	SCALE	2.5/1	ISSUE	A	FILE NO	
9	FERRULE	NOTE 5	NOTE 2	1	FR-124/109X158	DIMENSIONS ARE IN MILLIMETERS UNLESS OTHERWISE SPECIFIED TOLERANCES 0.5-6 = ±0.2 6-30 = ±0.4 30-120 = ±0.6 120-315 = ±1 315-1000 = ±1.6 1000-2000 = ±2.4					
8	CONTACT PIN	NOTE 1	NOTE 3	1	N5000-8-3/24-C						
7	RETAINER RING	SUS 304	NATURAL	1	N5000-7-C						
6	GASKET	SILICONE	RED	1	GS-156/8X15						
5	CONTACT BODY	NOTE 1	NOTE 2	1	N5000-5						
4	INSULATOR	NOTE 4	NATURAL	1	N5000-4T-50-A						
3	BARREL	NOTE 1	NOTE 2	1	N5000-3-93/74						
2	BODY	NOTE 1	NOTE 2	1	N5000-2						
1	SHELL	NOTE 1	NOTE 2	1	N5000-1-B						

PART NO.	N1121A1-NT3G-7-50
APPROVED	DATE 10-11-01'
CHECKED	DATE 10-11-01'
DRAWN	DATE 10-11-01'

**Amphenol**

TITLE  
N CRIMP PLUG

DRAWING NO.  
KJ-N1121A1-NT3G-213U-50

ITEM NO.