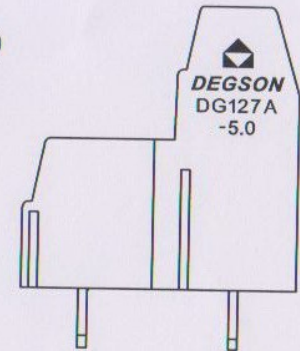
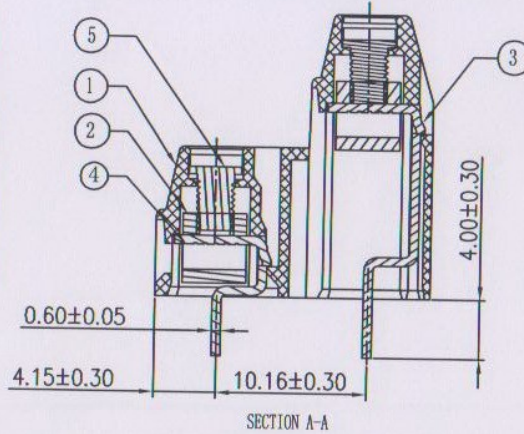


Notes:

1. Pitch: 5.0mm , Poles: 4-XXP
2. Rated voltage/current: UL 300V/12A  
VDE 250V/15A
3. Operation temperatures: -40°C ~ +105°C
4. Withstanding Voltage: AC2000V/1Min
5. Insulation Resistance: 5000MΩ / DC1000V
6. Wire Range: 26-14AWG, 0.5-1.5mm<sup>2</sup>
7. Max. Torque Value: M2.5, 4.08kgf.cm
8. Undimensioned Tolerances:

REVISION RECORD				
REV	ECO	DESCRIPTION	DRFT	DATE

Pitch range in mm		Nominal dimension range in mm						—
to	over	over	over	over	over	over	—	
6	6	10	30	60	100	150	∩	
6	10	24	30	60	100	150	□	
±0.10	±0.15	±0.25	±0.2	±0.3	±0.5	±0.7	±1.0	0.05/10



3	DG127A-5.08-PIN	4107B00010 (H)	XX/2	BRASS	SnCe plated
2	DG127 Cage	X000000170 (H)	XX	Brass	Ni plated
1	DG127A-5.0-Housing	4106A0YXXA (H)	1	PA66	UL94V-0
ITEM	NAME OF PART	NO. OF PART	Q'TY	MATERIAL	NOTES

MM (INCH)	DFTD YJZ	DATE 09/12/13
TOLERANCES EXCEPT AS NOTED	CHKD	DATE
.0 ±	MFO	DATE
.00 ±	APPLV	DATE
.000 ±		
ANGLES ± 1°	MATERIAL :	
	G.E :	
	FINISH :	
	SCALE : 1:1	

宁波高压电子有限公司  
 DEGSON ELECTRONICS CO., LTD  
 NAME: DG127A-5.0-08P-14-00A(H)  
 DRAWING NO. DG127A-5.0-E01  
 /PART NO.  
 DO NOT SCALE DRAWING  
 SHEET 1 OF 1

5	DG127 "—"Screws	S000001450 (H)	XX	Steel	C <sup>31</sup> Zn
4	DG127-5.08-PIN	4028B00010 (H)	XX/2	COPPER	SnCe plated