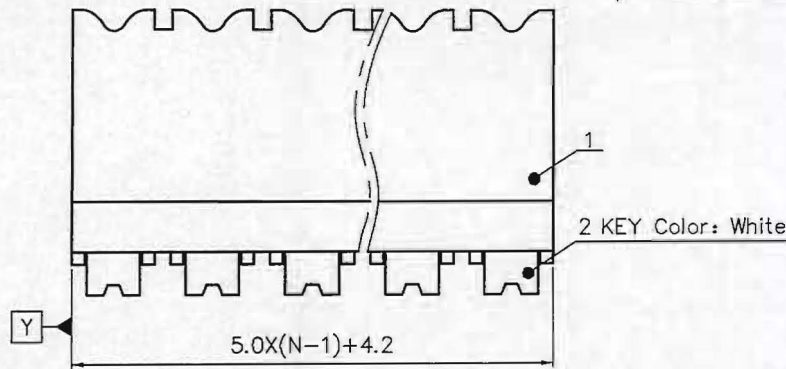
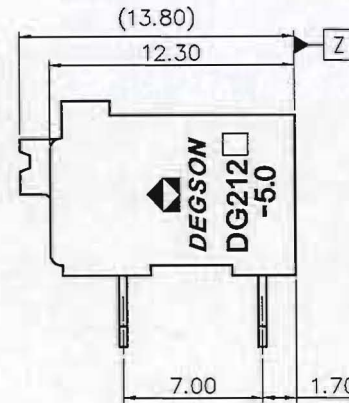
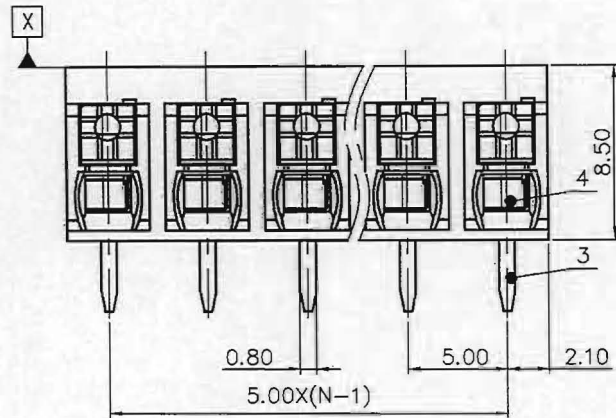
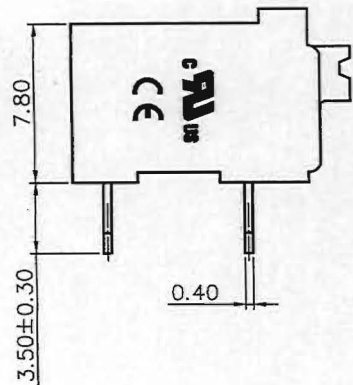


Pitch range in mm		Nominal dimension range in mm					-	∩	D
TO	Over	Over	Over	Over	Over	Over	0.1/10		
6	10	10	24	30	60	100	150	<	
±0.15	±0.20	±0.30	±0.30	±0.50	±0.70	±1.00	±1.30	±2'	

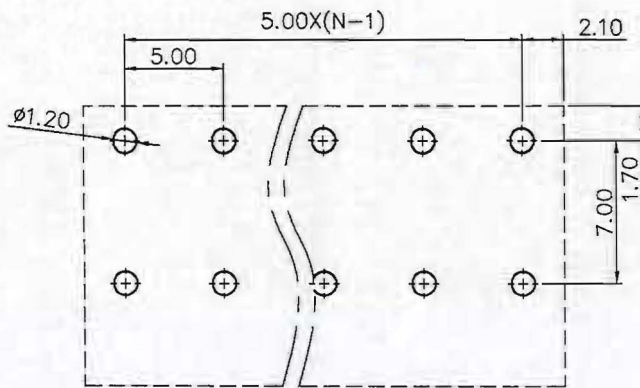
A



B



C



PCB LAYOUT

D



ITEM	NAME OF PART	MATERIAL	NOTES
4	Spring	Stainless steel	
3	Pin header	Copper Alloy	Sn Plated
2	Button	PA66	UL94V-0
1	Housing	PA4T	UL94V-0
额定电压/电流/Rated Voltage/Current		300V/12A	
工频耐压/Withstanding voltage		AC1600V/1Min	
EC 标准/EC Standard:			
过压类别/Overvoltage Category/污染等级/Pollution Degree		II/2	III/2 III/3
额定电压/电流/Rated Voltage(V)/Current(A)		500/17.5	320/17.5 320/17.5
额定脉冲电压(KV)/Rate impulse Voltage(KV)		4.0	4.0 4.0
线径范围(硬线和软线)/Wire Range(rigid and flexible)(mm ² /AWG)		0.2~1.5/28~14	
间距/Pitch(mm)/线数范围/Poles		5.00/N=02~24P	
剥线长度/Stripping length(mm)		8~9	
使用温度范围/Operating temperature(°C)		-40~+130	
符合RoHS环保要求/Conform to RoHS		Yes	

MATERIAL: /	SURFACE: /		
MAT NO.: /	宁波高松电子有限公司 NINGBO DEGSON ELECTRICAL CO., LTD NAME: DG212R-THR-5.0-XXP-1Y-100A(H)		
STATUS: Work			
APPD: Zhujun 2019.12.17			
CHKD: Cao LB 2019.12.10			
DRFT: CenX 2019.11.29	DRAWING NO.: 10000786	REV	TO
SIZE: A4	TYPE: CUSTOMER DRAWING	SCALE: 1:1	SHEET 1/1

REV	ECN	DESCRIPTION	DRFT	DATE