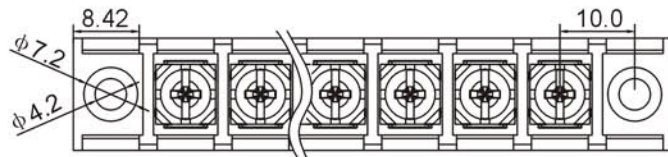
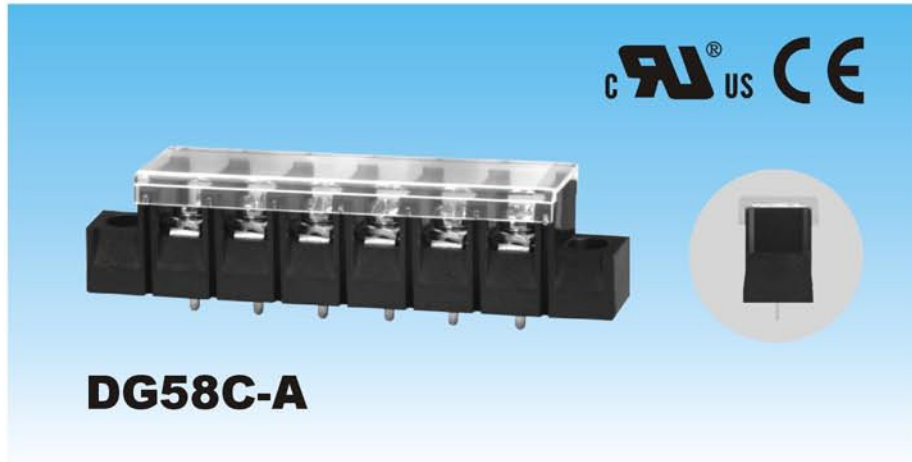


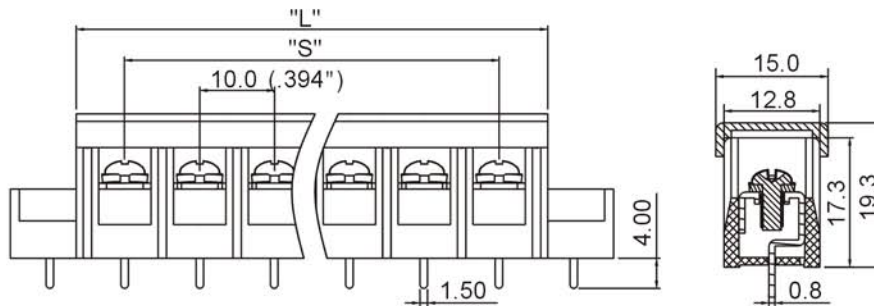


DEGSON ELECTRONICS CO., LTD.

Product Specification



"S"=10.00x(P-1)
"L"=10.00xP+3.16



Poles	2	3	4	5	6	7	8	9	10	11	12	13	14	15
L(mm)	23.16	33.16	43.16	53.16	63.16	73.16	83.16	93.16	103.16	113.16	123.16	133.16	143.16	153.16
S(mm)	10.00	20.00	30.00	40.00	50.00	60.00	70.00	80.00	90.00	100.00	110.00	120.00	130.00	140.00
Poles	16	17	18	19	20	21	22	23	24	25	26	27	28	
L(mm)	163.16	173.16	183.16	193.16	203.16	213.16	223.16	233.16	243.16	253.16	263.16			
S(mm)	150.00	160.00	170.00	180.00	190.00	200.00	210.00	220.00	230.00	240.00	250.00			

Materials

Housing: PA66+23%GF, UL 94V-0
Terminal: Brass, 0.8t, Tin-Plated
Screw: Steel, M4 Ni-Plated

Capability

Rated: 300V / 20A
Temp. Range: -40°C ~ +105°C
Withstand Voltage: AC2000V / 1Min
Insulation Resistance: 500MΩ / DC500V
Wire Range: 22-12AWG
Max. Torque Value: 1.2N.m 10.6Lb.in

HOW TO ORDER:



Series No. No. of Pole

Color

1 Gray	5 Orange	9 White
2 Blue	6 Red	
3 Black	7 Trans- parent	
4 Green	8 Yellow	



DEGSON ELECTRONICS CO.,LTD.

NAME

DG58C-A