

6

5

4

3

2

1

APPROVED: \_\_\_\_\_

DATE: \_\_\_\_\_ TITLE: \_\_\_\_\_

Rev	AWO #	Description	Date	Appr
-		RELEASED	8/25/14	

D

D

C

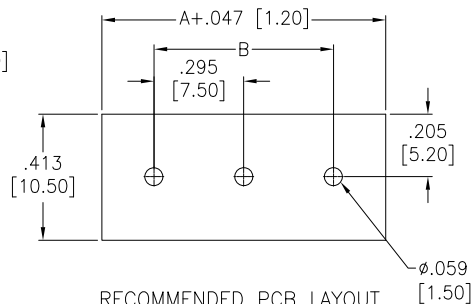
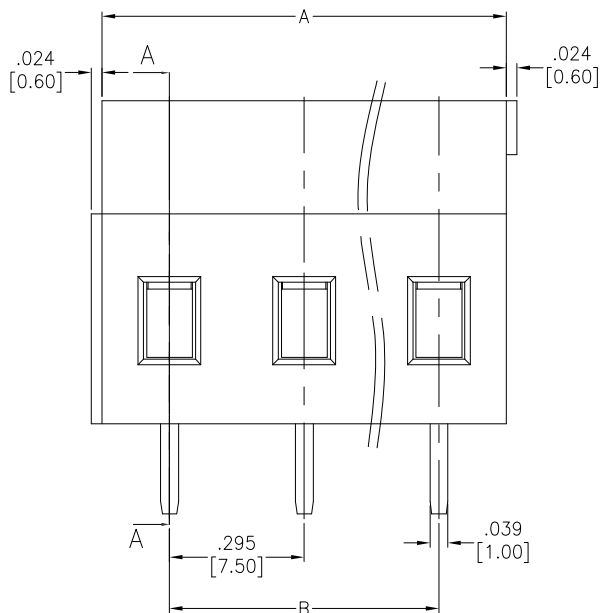
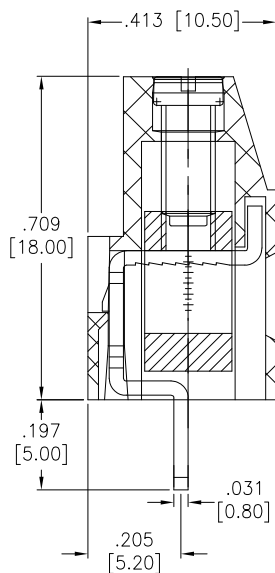
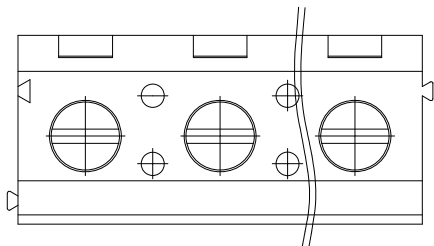
C

B

B

A

A



**SPECIFICATIONS:**  
 Material:  
 Insulator: PA66, rated UL 94V-0  
 Insulator color: Green  
 Screw: Steel, M3.0/Zinc plated  
 Cage: Brass, Nickel plated  
 Pin Header: Brass, Tin plated  
 Electrical:  
 Voltage rated: 300 VAC  
 Current rated: 16 Amps  
 Contact resistance: 20 mΩ  
 Insulation resistance: 500 MΩ @ 500 VDC  
 Withstanding voltage: 2000V AC/1 Min  
 Mechanical:  
 Solid wire: 26-12AWG 2.5mm<sup>2</sup>  
 Torque (Lb-In): 0.5Nm (4.5lb-in)  
 Temperature Rating:  
 Operating temperature: -40°C to +105°C  
 Environmental:  
 Lead free, RoHS compliant.

SECTION A-A

Positions: 02 thru 24  
 A = .295 [7.50] x No. of Positions  
 B = .295 [7.50] x No. of Spaces



UNLESS OTHERWISE SPECIFIED ALL DIMENSIONS ARE INCHES [MM] TOLERANCES: EXCEPT AS NOTED			
INCHES		HOLES	
.X	± .10	Ø.X	± .10
.XX	± .020	Ø.XX	± .015
.XXX	± .015	Ø.XXX	± .010
APPROVALS		DATE	
DRAWN	AY	8/25/14	
CHECKED	SC	8/25/14	
APPROVED			

**ADAM TECH**  
 909 Rahway Avenue, Union, NJ 07083  
 Phone: 908-687-5000 Fax: 908-687-5710

TITLE: EURO BLOCK, .295 [7.50] PITCH

SIZE X	PART NO. EB147A-XX-M	REV. -
REF: S00067C	SCALE: NTS	SHEET 1 OF 1

6

5

4

3

2

1