

6

5

4

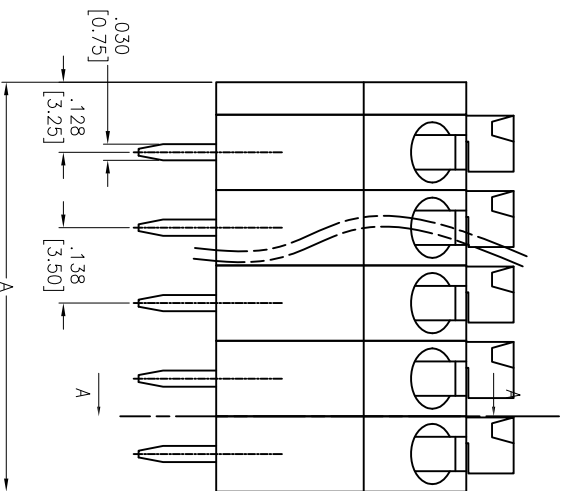
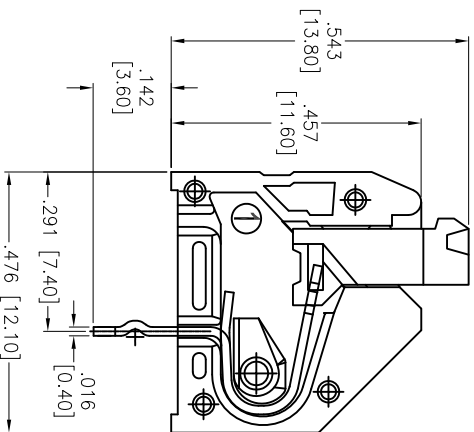
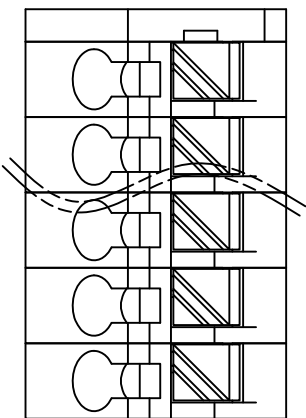
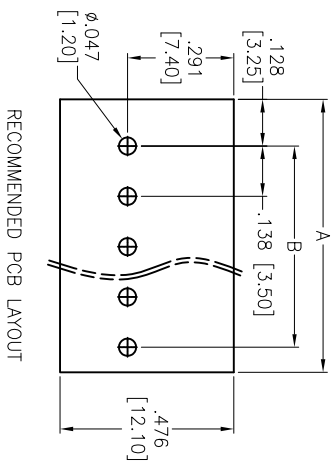
3

2

1

APPROVED: _____
 DATE: _____ TITLE: _____

Rev	AWO #	Description	Date	Appr
-		RELEASED	8/26/13	
A		UPDATED DRAWING	12/10/14	HR/AC



SPECIFICATIONS:

Material:
 Insulator: PA66, rated UL 94V-0
 Insulator color: Grey
 Contact: Phosphor Bronze, Tin plated
 Electrical:
 Operation voltage: 300 VAC
 Current rating: 5 Amps
 Insulation resistance: 500 Mohms min @ 500 VDC
 Dielectric withstanding voltage: 2,000 VAC for 1 minute
 Mechanical:
 Wire range: 22-18 AWG, 0.75mm²
 Strip length: 8-9 mm
 Temperature Rating:
 Operating temperature: -40°C to +105°C
 Environmental:
 Lead free, RoHS compliant.

Positions: 02 thru XX
 A = .138 [3.50] x No. of Positions + .059 [1.50]
 B = .138 [3.50] x No. of Spoce

ADAM TECH

909 Rahway Avenue, Union, NJ 07083
 Phone: 908-687-5000 Fax: 908-687-5710

.138" [3.50] PITCH, TERMINAL BLOCK

UNLESS OTHERWISE SPECIFIED ALL DIMENSIONS ARE INCHES [MM] TOLERANCES: EXCEPT AS NOTED	
INCHES	HOLDS
.X ± .10	ØX ± .10
.XX ± .020	ØXX ± .015
.XXX ± .015	ØXXX ± .010
APPROVALS	DATE
DRAWN AY	8/26/13
CHECKED GH	8/26/13
APPROVED	

SIZE	PART NO.	REV.
X	EB59A-1-XX-A-R	A
REF: S00067C	SCALE: NTS	SHEET 1 OF 1



6

5

4

3

2

1