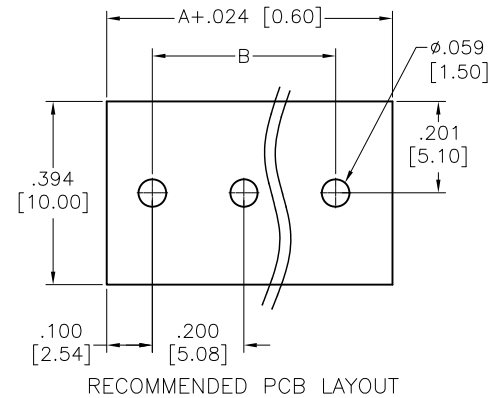
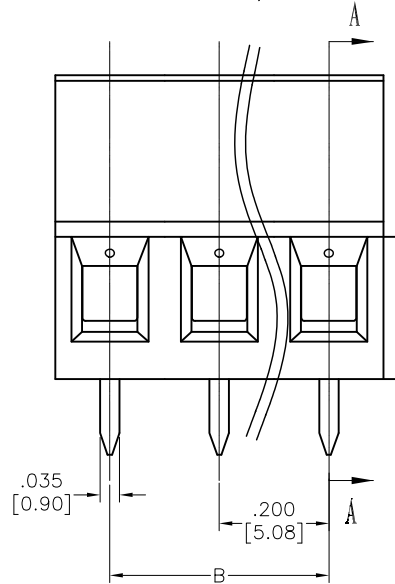
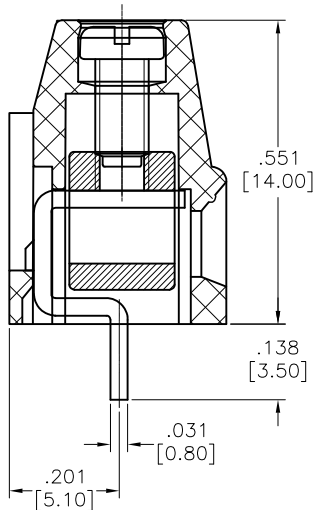
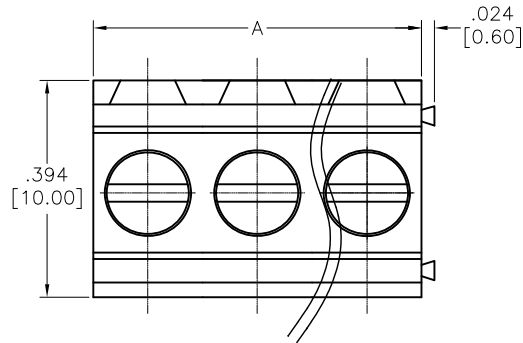


APPROVED: \_\_\_\_\_  
 DATE: \_\_\_\_\_ TITLE: \_\_\_\_\_

Rev	AWO #	Description	Date	Appr
-		RELEASED	8/29/13	
A		REVISED PART NO.	1/16/14	HR
B		UPDATE SPEC.	1/29/15	AY/CH



**SPECIFICATIONS:**

Material:  
 Insulator: PA66, rated UL 94V-0  
 Insulator color: Green  
 Screw: Steel, M2.5/Zinc plated  
 Cage: Brass, Tin plated  
 Pin Header: Brass, Tin plated

Electrical:  
 Operation voltage: UL: 300V max, IEC: 250V max  
 Current rating: UL: 15 Amps max, IEC: 17.5 Amps max  
 Contact resistance: 20 mohms max  
 Insulation resistance: 500 Mohms min @ 500 VDC  
 Dielectric withstanding voltage: 2000 VAC for 1 minute

Mechanical:  
 Wire range: 30-14AWG, 1.5mm<sup>2</sup>  
 Torque: 0.4N-m, 3.6Lb-in  
 Strip Length: 6-7mm  
 Temperature Rating:  
 Operating temperature: -40°C to +105°C  
 Environmental:  
 Lead free, RoHS compliant.



Positions: 2 thru 24  
 A = .200 [5.08] x No. of Positions  
 B = .200 [5.08] x No. of Spaces

UNLESS OTHERWISE SPECIFIED ALL DIMENSIONS ARE INCHES [MM] TOLERANCES: EXCEPT AS NOTED			
INCHES		HOLES	
.X	± .10	Ø.X	± .10
.XX	± .020	Ø.XX	± .015
.XXX	± .015	Ø.XXX	± .010
APPROVALS		DATE	
DRAWN	AY	8/29/13	
CHECKED	AH	8/29/13	
APPROVED			

**ADAM TECH**

909 Rahway Avenue, Union, NJ 07083  
 Phone: 908-687-5000 Fax: 908-687-5710

TITLE			
TERMINAL BLOCK, .200 [5.08] PITCH			
SIZE	PART NO.	REV.	
X	EBVA-XX-D	B	
REF:	S00067C	SCALE: NTS	SHEET 1 OF 1