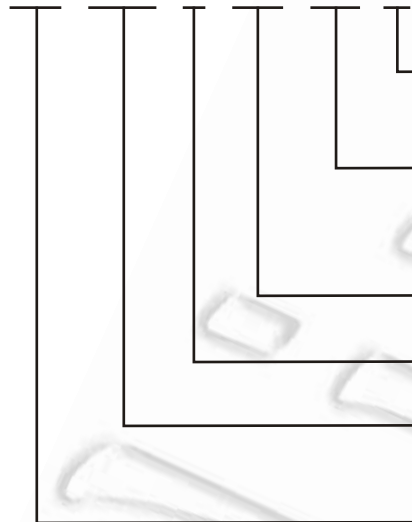


Specification:



Contact: Brass (CuZn), Cu/Ni, tin plated
 Terminal screw: Steel galvanized and chromated
 Insulator: Poly Butylene, Terephthlene,
 PBT (30% Glass Filled) (UL94V-0)
 Operating temperature: -40°C to 105°C
 Current rating: 10 A
 Resistance to tracking: 5 MW
 Dielectric strength: 2000 V
 Insulation withstanding voltage: 1500 VAC min.
 Rated voltage: 250 V
 Conductor size: 0.5 to 1 mm²

TB-3.8-P-2P-BL-x



Wire Guard:

none - without wire guard
 G - with wire guard

Colour:

BL - blue
 GY - gray
 BK - black

No. of Poles

N - max. 24

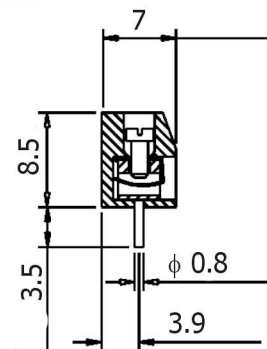
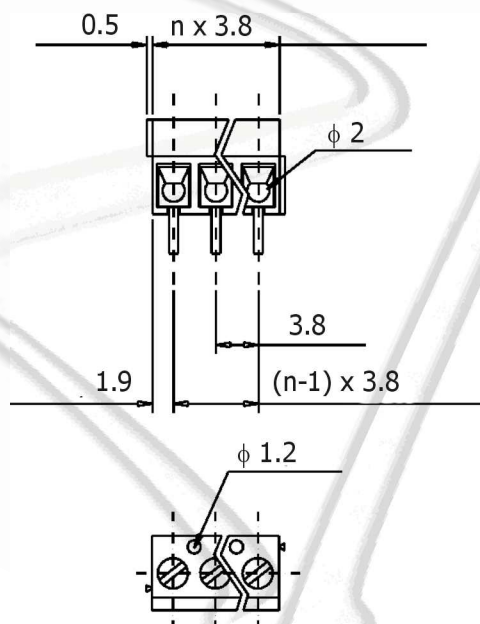
Front Wire Inlet Type:

P - Screw on Top

Pitch:

3.8 - 3.81 mm
 7.6 - 7.62 mm

Terminal Block



Recommended PCB holes diameter: f 1.2 mm to f 1.4 mm