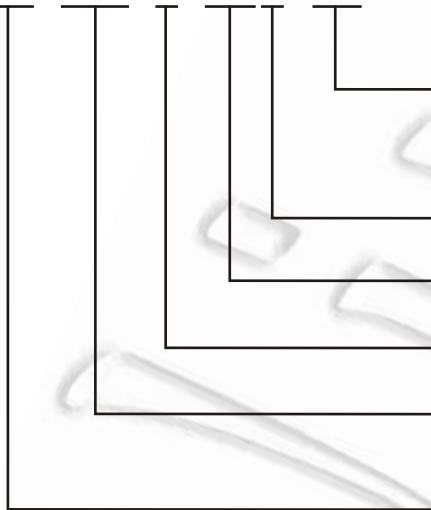


### Specification:

Contact: Brass (CuZn), Cu/Ni, tin plated  
Terminal screw: Steel galvanized and chromated  
Insulator: Poly Butylene, Terephthlene,  
PBT (30% Glass Filled) (UL94V-0)  
Operating temperature: -30°C to 120°C  
Current rating: 16 A  
Resistance to tracking: 5 MW  
Dielectric strength: 2500 V  
Insulation withstanding voltage: 1500 VAC min.  
Rated voltage: 300 V  
Conductor size: 2.5 to 4 mm<sup>2</sup>

### TB-5.0-P-2P1-BL



#### Colour:

BL - blue  
GY - gray  
BK - black

#### Height over PCB:

1 - 12.5 mm

#### No. of Poles

N - max. 24

#### Front Wire Inlet Type:

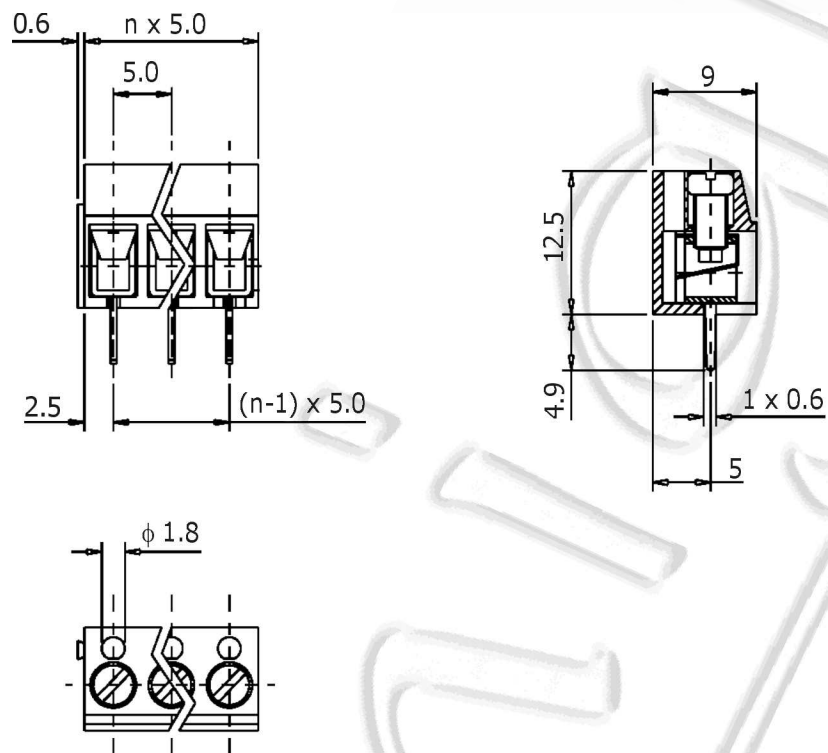
P - Screw on Top

#### Pitch:

5.0 - 5.0 mm  
10 - 10.0 mm

#### Terminal Block

# Ninigi



Recommended PCB holes diameter:  $\phi 1.2$  mm to  $\phi 1.4$  mm