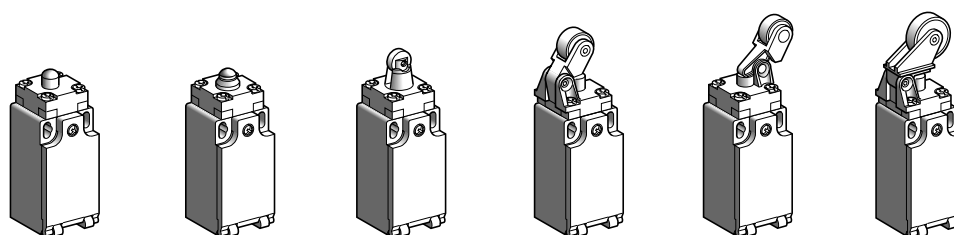


# Limit switches

Double insulated, conforming to CENELEC EN 50047, type XCK-P  
Complete switches with 1 cable entry for n° 11 cable gland

References, characteristics

Type of operating head	Plunger
------------------------	---------



Type of operator	Metal end plunger	Steel end plunger with elastomer boot	Thermoplastic roller plunger	Thermoplastic roller lever plunger, 1 direction of actuation	horizontal	vertical	horizontal or vertical
------------------	-------------------	---------------------------------------	------------------------------	--	------------	----------	------------------------

References ( ⊖ N/C contact with positive opening operation )

2-pole 1 N/C + 1 N/O snap action (XES-P2151)		XCK-P110 ⊖	XCK-P111 ⊖	XCK-P102 ⊖	XCK-P121 ⊖	XCK-P127 ⊖	XCK-P128 ⊖
2-pole 1 N/C + 1 N/O break before make slow break (XEN-P2151)		XCK-P510 ⊖	XCK-P511 ⊖	XCK-P502 ⊖	XCK-P521 ⊖	XCK-P527 ⊖	XCK-P528 ⊖
2-pole 1 N/O + 1 N/C make before break slow break (XEN-P2161)		XCK-P610 ⊖	XCK-P611 ⊖	XCK-P602 ⊖	XCK-P621 ⊖	XCK-P627 ⊖	XCK-P628 ⊖
2-pole 1 N/C + 1 N/C simultaneous slow break (XEN-P2141)		XCK-P710 ⊖	XCK-P711 ⊖	XCK-P702 ⊖	XCK-P721 ⊖	XCK-P727 ⊖	XCK-P728 ⊖
2-pole 1 N/O + 1 N/O simultaneous slow break (XEN-P2131)		XCK-P810	XCK-P811	XCK-P802	XCK-P821	XCK-P827	XCK-P828
2-pole 1 N/C + 1 N/C snap action (XES-P2141)		XCK-P910 ⊖	XCK-P911 ⊖	XCK-P902 ⊖	XCK-P921 ⊖	XCK-P927 ⊖	XCK-P928 ⊖
Weight (kg)		0.055	0.055	0.055	0.060	0.060	0.060

Complementary characteristics not shown under General characteristics (page 32000/3)

Switch actuation	On end	By 30° cam	
Maximum actuation speed	0.5 m/s	0.3 m/s	1 m/s
Mechanical durability	15 million operating cycles	10 million operating cycles	15 million operating cycles
Minimum force <u>for tripping</u>	15 N	12 N	6 N
<u>for positive opening</u>	45 N	36 N	18 N
Cable entry	1 tapped entry for n° 11 cable gland conforming to NF C 68-300 (DIN Pg 11). Clamping capacity : 7 to 10 mm.		

Other versions

Switches with gold flashed contacts.  
Please consult your Regional Sales Office.

# Limit switches

Double insulated, conforming to CENELEC EN 50047, type XCK-P  
Complete switches with 1 cable entry for n° 11 cable gland

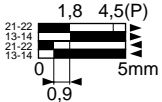
Setting-up, dimensions

## Setting-up Type of actuation XCK-P●10

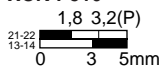


### Function diagrams

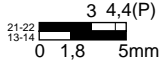
#### XCK-P110



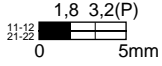
#### XCK-P510



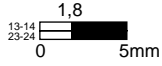
#### XCK-P610



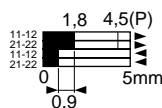
#### XCK-P710



#### XCK-P810



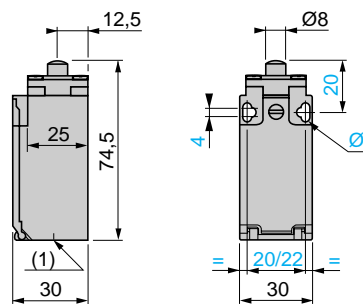
#### XCK-P910



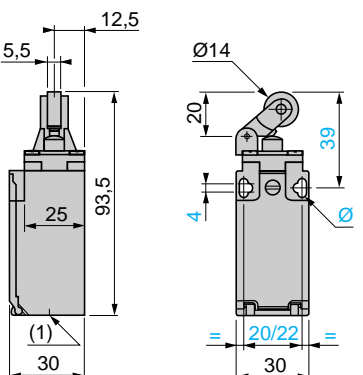
Contact operation  
 contact closed  
 contact open

### Dimensions

#### XCK-P●10



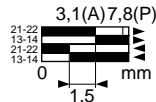
#### XCK-P●21



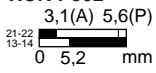
#### XCK-P●02



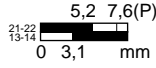
#### XCK-P102



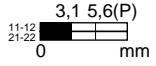
#### XCK-P502



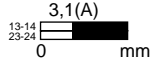
#### XCK-P602



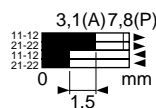
#### XCK-P702



#### XCK-P802

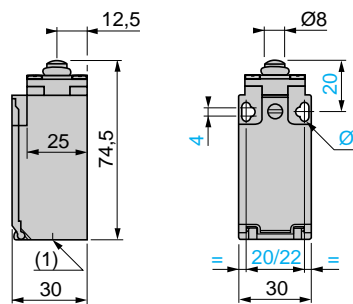


#### XCK-P902

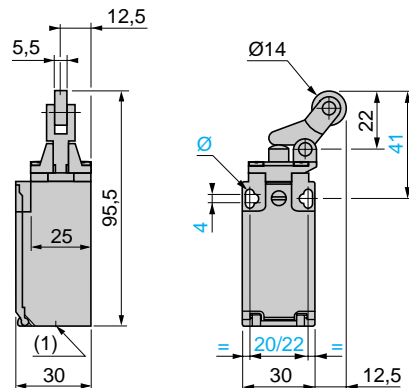


(A), (B) = cam displacement  
(P) = positive opening point

#### XCK-P●11



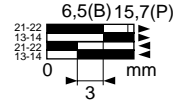
#### XCK-P●27



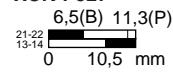
#### XCK-P●27



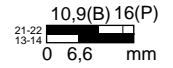
#### XCK-P127



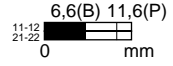
#### XCK-P527



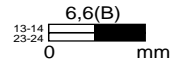
#### XCK-P627



#### XCK-P727



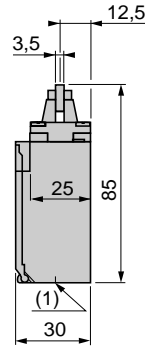
#### XCK-P827



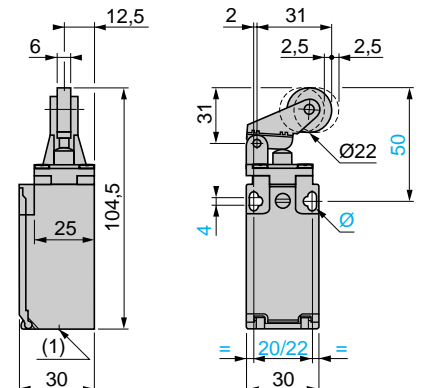
#### XCK-P927



#### XCK-P●28



#### XCK-P●28



(1) 1 cable entry, tapped for n° 11 cable gland

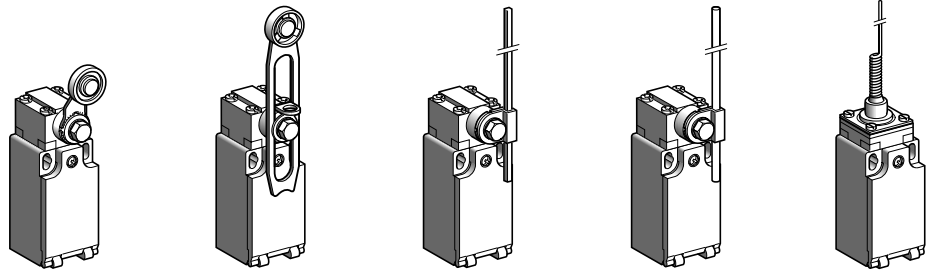
Ø : 2 elongated holes Ø 4.3 x 8.3 on 22 centres, 2 holes Ø 4.3 on 20 centres

# Limit switches

Double insulated, conforming to CENELEC EN 50047, type XCK-P  
 Complete switches with cable entry for  $\varnothing 11$  cable gland

Reference characteristics

Type of operating head	Rotary	Multidirectional
------------------------	--------	------------------



Type of operator	Thermoplastic rotative(1)	Variable length thermoplastic rotative(2)	Square rod $\square 3$ mm steel(2)	Round rod $\varnothing 3$ mm glass fibre(2)	"Catswhisker"
	(1) Adjustable throughout 860	1r5 steps in 90	steps by reversing the notched washer.		
	(2) Adjustable throughout 860	1r5 steps.			

## References (N/C contact with positive opening operation)

2-pole 1N/C+1N/O snap action (XES-P2151)		XCK-P118 ⊕	XCK-P145	XCK-P154	XCK-P155	XCK-P106
2-pole 1N/C+1N/O break before make slow break (XEN-P2151)		XCK-P518 ⊕	XCK-P545	XCK-P554	XCK-P555	XCK-P506
2-pole 1N/O+1N/C make before break slow break (XEN-P2161)		XCK-P601+ZCK-Y18 ⊕	XCK-P601+ZCK-Y45	XCK-P601+ZCK-Y54	XCK-P601+ZCK-Y55	XCK-P606
2-pole 1N/C+1N/C simultaneous slow break (XEN-P2141)		XCK-P701+ZCK-Y18 ⊕	XCK-P701+ZCK-Y45	XCK-P701+ZCK-Y54	XCK-P701+ZCK-Y55	XCK-P706
2-pole 1N/O+1N/O simultaneous slow break (XEN-P2131)		XCK-P801+ZCK-Y18	XCK-P801+ZCK-Y45	XCK-P801+ZCK-Y54	XCK-P801+ZCK-Y55	XCK-P806
2-pole 1N/C+1N/C snap action (XES-P2141)		XCK-P901+ZCK-Y18 ⊕	XCK-P901+ZCK-Y45	XCK-P901+ZCK-Y54	XCK-P901+ZCK-Y55	—
Weight (kg)		0.070	0.080	0.075	0.060	0.065

## Complementary characteristics

not shown under General characteristics (page 32000/3)

Switch actuation	By 30° cam		By any moving part		
Maximum actuations speed	1.5m/s	1.5m/s	1m/s	1m/s	1m/s in any direction
Mechanical durability	10 million operating cycles				5 million operating cycles
Minimum torque <u>flipping</u>	0.1N.m		0.13N.m		
<u>for positive opening</u>	0.25N.m	—	—		
Cable entry	1 tapped entry for $\varnothing 11$ cable gland conforming to NFC 68-300 (DIN Pg 1). Clamping capacity: 7 to 10mm.				

## Other versions

Switches with gold plated contacts.  
 Please consult your Regional Sales Office.

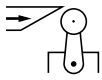
# Limit switches

Double insulated, conforming to CENELEC EN 50047, type XCK-P  
Complete switches with 1 cable entry for n° 11 cable gland

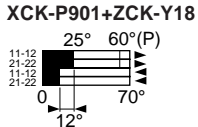
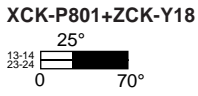
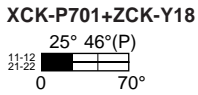
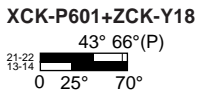
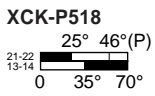
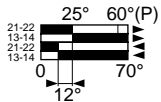
## Setting-up, dimensions

### Setting-up

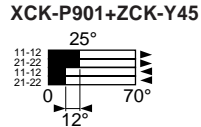
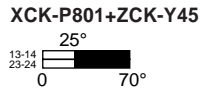
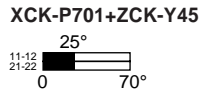
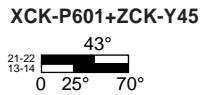
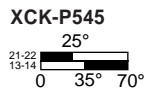
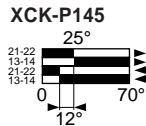
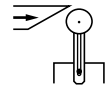
Type of actuation  
XCK-P●18, ZCK-Y18



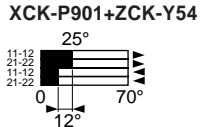
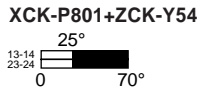
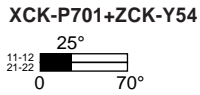
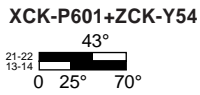
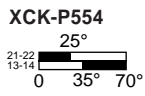
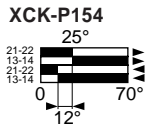
Function diagrams  
XCK-P118



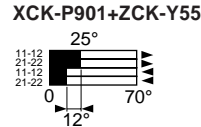
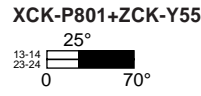
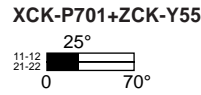
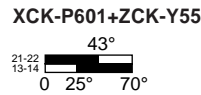
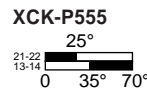
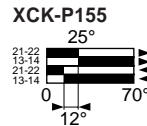
XCK-P●45, ZCK-Y45



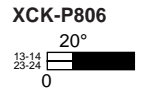
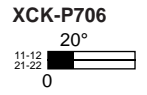
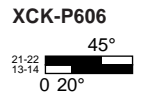
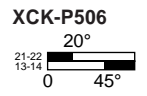
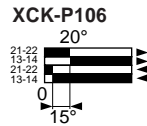
XCK-P●54, ZCK-Y54



XCK-P●55, ZCK-Y55



XCK-P●06

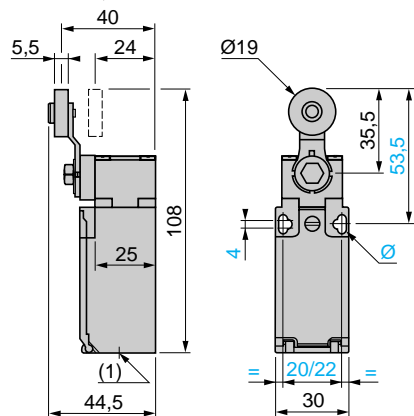


Contact operation  
■ contact closed  
□ contact open

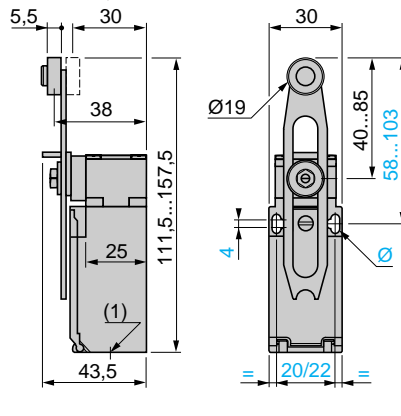
(P) = positive opening point

### Dimensions

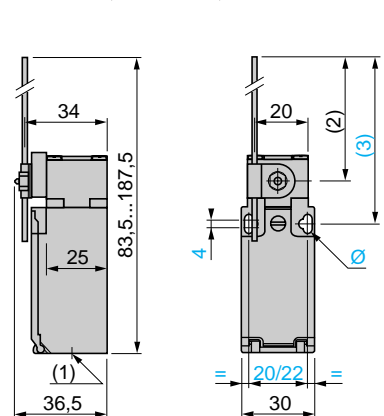
XCK-P●18, XCK-P●01 + ZCK-Y18



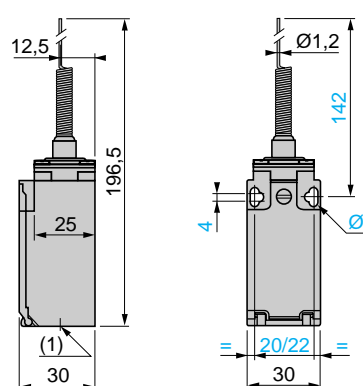
XCK-P●45, XCK-P●01 + ZCK-Y45



XCK-P●54, XCK-P●55, XCK-P●01 + ZCK-Y5●



XCK-P●06



(1) 1 cable entry, tapped for n° 11 cable gland

(2) 115 max.

(3) 133 max.

∅ : 2 elongated holes ∅ 4.3 x 8.3 on 22 centres, 2 holes ∅ 4.3 on 20 centres