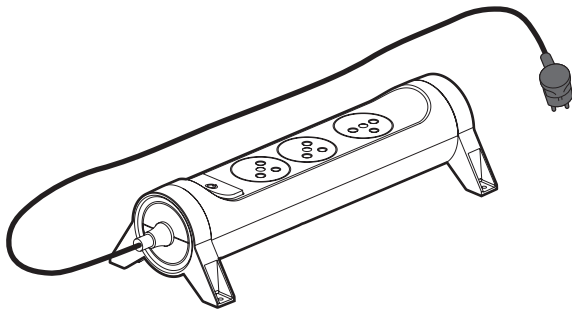
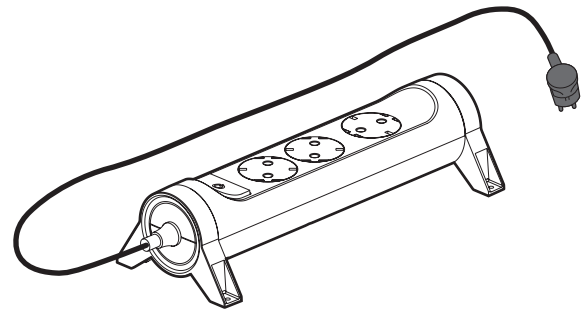


Rotating multi-outlet adapters with switch

Cat. No(s): 0 494 42/43/44/45/46/47/48/49/50/51/52/53/54/55
 0 494 56/57/58/59/60/61/62/63/64/65/66/67/68/69
 6 945 27/28/29/30/31/32/33/34/35/36/37
 6 945 38/39/40/41/42/43/44/45/46/47/48



0 494 43



6 945 27

1. USE

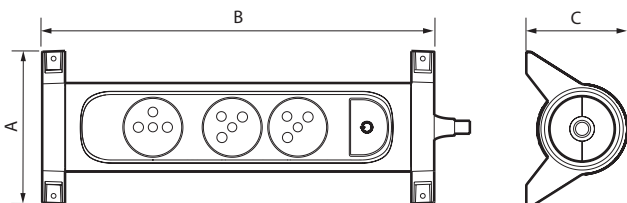
Multi-outlet extensions: 3, 4, 5 and 6 x 2P+E flush sockets with shutter, with or without a cord.
 Socket block which pivots on its axis, incorporating an ON/OFF switch with LED indicator, with recesses at a 45° angle (except for 1 at 90° for connecting a transformer).
 Can be fixed with screws onto a wall, piece of furniture, work surface. Can also be fixed to a table leg with a cable tie.

2. RANGE

FRENCH/BELGIAN STANDARD	Cable length 1.5 m 3 G 1.5 mm ²		Cable length 1.5 m 3 G 1 mm ²		Cable length 3 m 3 G 1.5 mm ²		to be wired 1.5 mm ² Cable length 30 m	
	White/Black	Black	White/Black	Black	White/Black	Black	White/Black	Black
3 x 2P+E	0 494 43	0 494 45	0 494 42	0 494 44	0 494 58	-	0 494 64	-
4 x 2P+E	0 494 47	0 494 49	0 494 46	0 494 48	0 494 59	0 494 60	0 494 65	0 494 66
5 x 2P+E	0 494 51	0 494 53	0 494 50	0 494 52	0 494 61	-	0 494 67	-
6 x 2P+E	0 494 55	0 494 57	0 494 54	0 494 56	0 494 62	0 494 63	0 494 68	0 494 69

GERMAN STANDARD	Cable length 1.5 m 3 G 1.5 mm ²		Cable length 3 m 3 G 1.5 mm ²		Cable length 5 m 3 G 1.5 mm ²		to be wired 1.5 mm ² Cable length 30 m	
	White/Black	Black	White/Black	Black	White/Black	Black	White/Black	Black
3 x 2P+E	6 945 27	6 945 28	6 945 35	-	6 945 41	-	6 945 43	-
4 x 2P+E	6 945 29	6 945 30	6 945 36	6 945 37	-	-	6 945 44	6 945 45
5 x 2P+E	6 945 31	6 945 32	6 945 38	-	6 945 42	-	6 945 46	-
6 x 2P+E	6 945 33	6 945 34	6 945 39	6 945 40	-	-	6 945 47	6 945 48

3. DIMENSIONS (mm)



Cat. No(s)	A	B	C
3 x 2P+T	100	257	65
4 x 2P+T	100	300	65
5 x 2P+T	100	343	65
6 x 2P+T	100	386	65

4. CONNECTION

For catalogue numbers to be wired: 0 494 64/65/66/67/68/69
 6 945 43/44/45/46/47/48

Terminal type: with screws
 Capacity: 3 x 1.5 mm²
 Wire stripping length: 8 mm

5. TECHNICAL CHARACTERISTICS

■ 5.1 Mechanical characteristics

Impact tests: IK 04

Protection against solid/bodies and liquids: IP 20

■ 5.2 Material characteristics

Matt White RAL 9003/Matt Black RAL 9017 Plastic + Thermoplastic

Halogen-free

UV-resistant

Self-extinguishing:

750°C/30 s for insulating components holding live parts in place.

650°C/30 s for other insulating components.

■ 5.3 Electrical characteristics

Voltage: 230 V~

Frequency: 50 Hz

Current: 16 A

Power: max. 3680 W

■ 5.4 Climate characteristics

Usage temperature: -5°C to +35°C

Storage temperature: -15°C to +70°C

6. CARE

Surface cleaning with a cloth.

Do not use: acetone, tar remover, trichloroethylene.

Caution: Always test before using other special cleaning products.

7. STANDARDS AND APPROVALS

Compliant with installation and manufacturing standards

See e. catalogue.