

POLAM-ELTA Sp. z o.o.

LED DIODES
LED CONTROL LAMPS

www.polamelta.com

e-mail: polamelta@polamelta.com.pl

Jerozolimskie Avenue 202
02-486 Warsaw, POLAND
tel. (+48) 22-837-22-07
fax (+48) 22-207-24-28



COMPLIANCE DECLARATION NR 3/07/2018

Producer: POLAM-ELTA Sp. z o.o.
Jerozolimskie Avenue 202
02-486 Warsaw

KRS Nr: 0000190790
REGON: 001416903

We declare with a full responsibility that **LED signal lamps ϕ 20** we manufacture:

LB , LG , LO , LR , LY , LW , LRG , LRY , LGY , LRGB , LRGY (parameters in accordance with catalogue data) comply requirements imposed by:

1. Low Voltage Directive

LVD 2014/35/UE

2. The standard norms (relating to the particular parts of a product):

- PN EN 612 36:2002 Works under voltage – bipolar indexes Nn
- PN-E-90500-1:2001 Wires of polyvinyl chloride insulation 450/750
- PN-80/E-85050 miniature light bulbs of general use
- PN-EN 983:2000 miniature light bulbs

The year of obtaining CE sign: 07

Warszawa 09-07-2018

.....
Place and date of issue

PREZES ZARZĄDU

Ireneusz Tonder

.....
Name, position and signature of authorized person

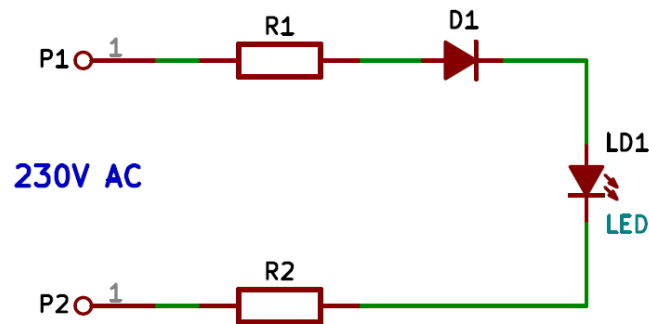
1. Product description:

The declaration is concerned about LED signal lamps produced for a number of voltage ranging 24V-AC - 400V-AC (24V; 30V; 48V; 60V; 110-130V; 230V; 400V) and 24V-DC – 220V-DC (24V; 30V; 48V; 60V; 110-130V; 220V). The lamps are designed for electric accessories use.

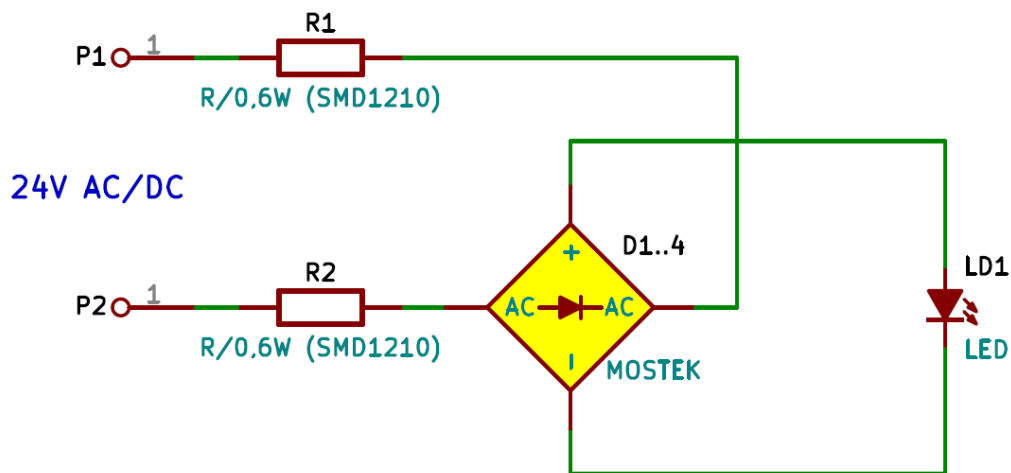
2. Technological documentation:

All the signal LED lamps are based on the following circuitry

Half-wave rectifier



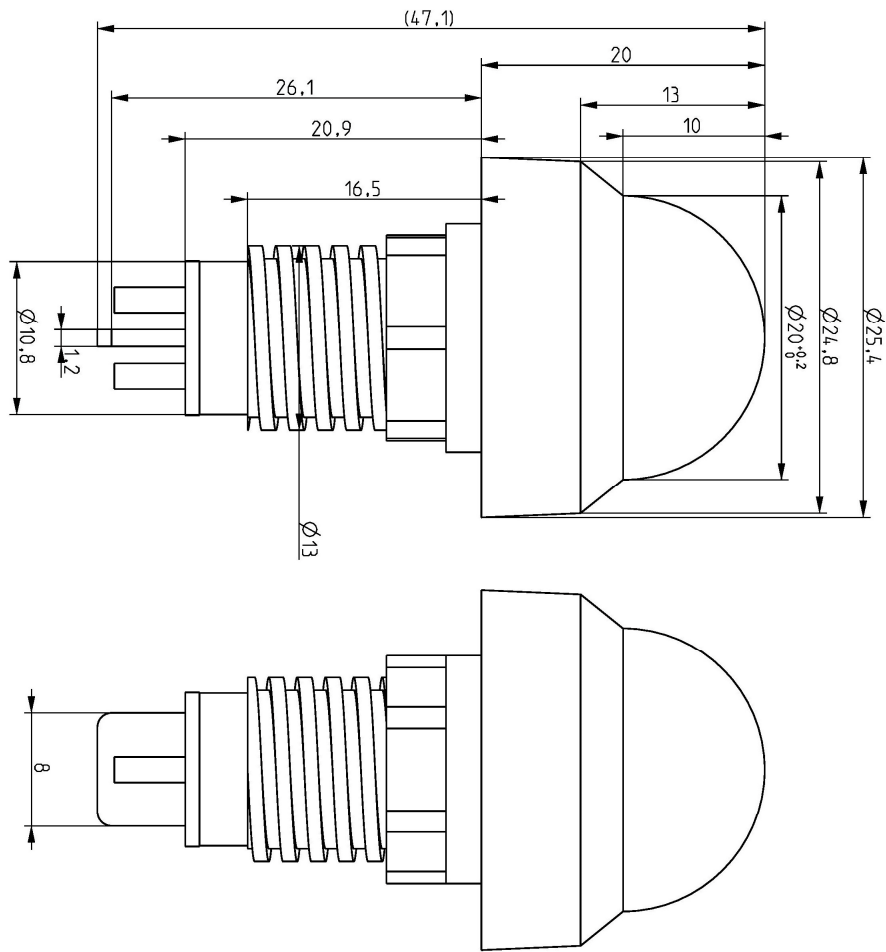
Full-wave rectifier



The elements of casings are made from ABS material. Electric connections are made on glass-epoxy laminate of 1 mm ply. The main wire LGY0,5 is of 0,5 mm² section 450V / 750 V or connectors j 2.8. The wires length in the standard is 30 cm. Any length of wires in the range of 0,05 – 10 m. is also possible on special order. Tightness level lamp: IP40. Ambient temperature: -40°C to +70°C.

For 230 V-AC voltage, power consumption is 0,8 W and for 24V-AC/DC, it is 0,5 W.

- signal lamp $\phi 20$



LED CONTROL LAMPS $\phi 20$



Technical parameters of lamps (230V-AC)

color	luminosity (mcd)	wave lenght (nm)	power
standard red [R] mat	300-320	630	0,8 W
super red [R] mat	2800-3000	628	0,8 W
green [G] mat	200-220	530	0,8 W
yellow [Y] mat	180-200	590	0,8 W
orange [O] mat	300-320	610	0,8 W
blue [B] mat	100-120	470	0,8 W
white [W] mat	350-400	3000 K	0,8 W

mat : $201/2 = 180^{\circ}$, P = 0,8 W

Technical parameters of lamps (24V-AC/DC)

color	luminosity (mcd)	wave lenght (nm)	power
standard red [R] mat	1200-1500	630	0,5 W
super red [R] mat	5000-6000	628	0,5 W
green [G] mat	1000-1100	530	0,5 W
yellow [Y] mat	1000-1200	590	0,5 W
orange [O] mat	1200-1500	610	0,5 W
blue [B] mat	400-500	470	0,5 W
white [W] mat	1500-1800	3000 K	0,5 W

mat : $201/2 = 180^{\circ}$, P = 0,5 W

Update date : 02-01-2019