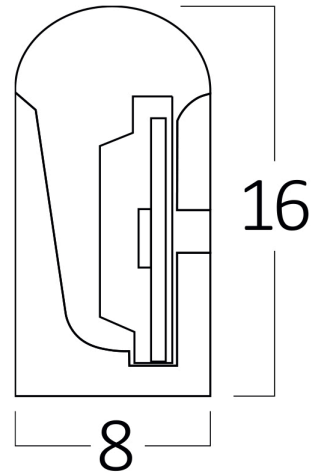
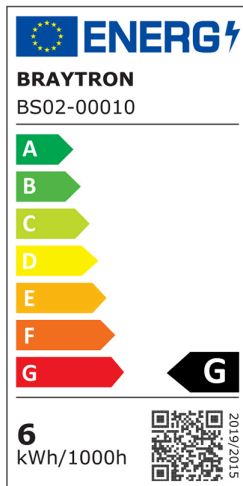


Braytron

TECHNICAL DATA SHEET

MODEL	BS02-00010
DESCRIPTION	BRY-NEON-8x16-220V-3000K-NEON LED STRIP
Cutting Point 100 cm	



BRAYTRON SRL

MUNICIPIUL BUCUREȘTI, SECTOR 6, BLD. IULIU MANIU, NR.616, CORP B, ET.1,BUCUREȘTI, Sector 6(RO)
info@braytron.com
www.braytron.com

General Characteristics

Model No	:	BS02-00010
Main Family	:	LED Strip
Sub Family	:	220V LED Neon
Type	:	Strip
Body Color	:	White
Lamp Shape	:	Non-Directional
Dimmable	:	Not-Dimmable
Light Source	:	LED
Warranty	:	2 Years
Class	:	CLASS II
IP	:	IP65

Product Characteristics

Wattage	:	6
Color Temperature	:	3000K
Quse Lumen	:	550
Color Rendering Index (CRI)	:	≥70
Energy Efficiency Level	:	F
Beam Angle	:	120°

Electrical Characteristics

Lifetime	:	20000 h
Voltage	:	220-240V 50/60Hz
Material	:	FPCB-PVC
Working Temperature	:	-20°C ~ +40°C
Led Quantity	:	120led/mt

Dimensions & Weight

P. Length	:	100 mm
P. Width	:	8 mm
P. Height	:	16 mm
Weight	:	145 gr

Package Informations

N.W.	:	14,5 kgs
G.W.	:	15,5 kgs
PCS/CTN	:	100
Length	:	31,5 cm
Width	:	31,5 cm
Height	:	27 cm
EAN	:	5949097728716

BRAYTRON SRL

MUNICIPIUL BUCUREȘTI, SECTOR 6, BLD. IULIU MANIU, NR.616, CORP B, ET.1,BUCUREȘTI, Sector 6(RO)
info@braytron.com
www.braytron.com