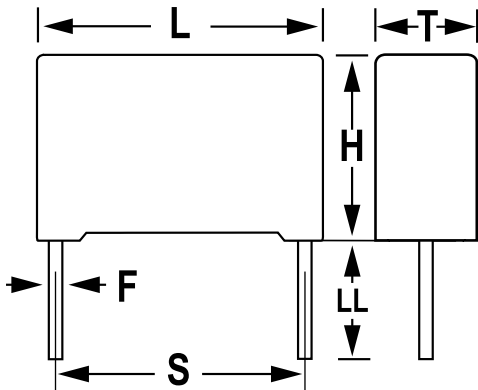


C4AF, Film, Metallized Polypropylene, Power, 1.5 uF, 10%, 310 VAC, 630 VDC, 85°C, Lead Spacing = 27.5mm



| General Information |                                      |
|---------------------|--------------------------------------|
| Series:             | C4AF                                 |
| Dielectric:         | Metallized Polypropylene             |
| Style:              | Radial                               |
| Features:           | Harsh Environmental Conditions       |
| RoHS:               | Yes                                  |
| Lead:               | Wire Leads                           |
| Qualifications:     | AEC-Q200, IEC61071, EN61071, VDE0560 |
| AEC-Q200:           | Yes                                  |
| Miscellaneous:      | Rth = 36 C/W.                        |

| Dimensions |                 |
|------------|-----------------|
| L          | 31.5mm +0.5mm   |
| H          | 25mm +0.2mm     |
| T          | 13mm +0.3mm     |
| S          | 27.5mm +/-0.4mm |
| LL         | 6mm +0/-2mm     |
| F          | 0.8mm +/-0.05mm |

| Specifications         |                                |
|------------------------|--------------------------------|
| Capacitance:           | 1.5 uF                         |
| Capacitance Tolerance: | 10%                            |
| Voltage AC:            | 310 VAC                        |
| Voltage DC:            | 630 VDC                        |
| Temperature Range:     | -55/+105°C                     |
| Rated Temperature:     | 85°C                           |
| Dissipation Factor:    | 0.07% MAX                      |
| Insulation Resistance: | 20 MOhms                       |
| Max dV/dt:             | 45 V/us                        |
| Resistance:            | 15 mOhms                       |
| Ripple Current:        | 6 Amps Irms (MAX), 68 Amps Ipk |
| Inductance:            | 25 nH (ESL)                    |

| Packaging Specifications |           |
|--------------------------|-----------|
| Packaging:               | Bulk, Box |
| Packaging Quantity:      | 234       |