

MTS 1-PHASE CONTROL AND ISOLATION TRANSFORMER

P: 63VA IN: 208...550VAC OUT: 2x115VAC

Single-phase - Control and Isolation Transformers

63 VA

Isolation class T 40/B

Other voltages on request.

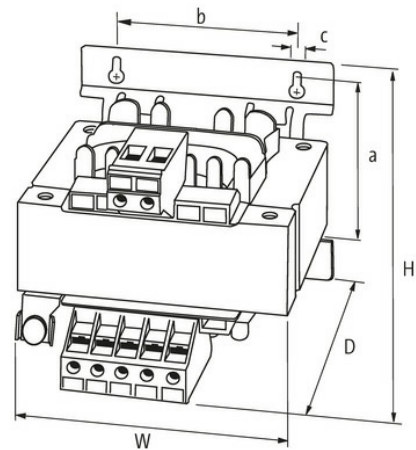
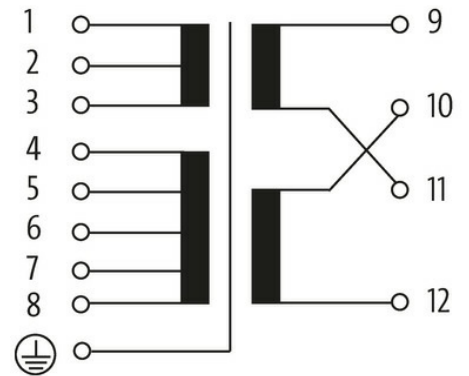
[Link to Product](#)

Illustration



INPUT

OUTPUT



Product may differ from Image

Approvals



More Info

Bus technologies

General data

The information in this brochure has been compiled with the utmost care. Liability for the correctness completeness and topicality of the information is restricted to gross negligence. Version: 05/21

Standards	EN 61558-1, EN 61558-2-4, EN 62041 category 0
Mounting method	Long-hole mounting or DIN-rail mountable TH35 (EN 60715)
Temperature range	-20...+40 °C (storage temperature -20...+80 °C)
Test isolation voltage	4 kV (prim./sec.)
Drill hole Ø	4.8×8.4 mm
Fixing centers a×b×c	56×56 mm
Dimensions H×W×D	97×78×93 mm

Output

Output voltage	1× 230, 1× 115, 2× 115 V AC
Output rating	63 VA

Input

Input voltage	208, 230, 380, 400, 420, 440, 460, 480, 500, 525, 550 V AC
Inrush current	5.2 A (208 V AC); 2.0 A (550 V AC)
Short-circuit current	3.6 A (208 V AC); 1.4 A (550 V AC)
Input current	0.37 A (208 V AC); 0.14 A (550 V AC)
Frequency	50...60 Hz

Commercial data

country of origin	CZ
customs tariff number	85043180
EAN	4048879444705
eClass	27031302
Packaging unit	1.000