

MTS 1-PHASE SAFETY TRANSFORMER

P: 100VA IN: 230/400VAC OUT: 24VAC

Single-phase safety transformer
100 VA
Isolation class T 40/B
Other voltages on request.

[Link to Product](#)**Illustration**

Product may differ from Image

Approvals**General data**

Standards	EN 61558-1, EN 61558-2-6, EN 62041 category 0
Test isolation voltage	4 kV (prim./sec.)
Mounting method	Long-hole mounting or DIN-rail mountable TH35 (EN 60715)
Temperature range	-20...+40 °C (storage temperature -40...+80 °C)
Dimensions H×W×D	86×84×98 mm
Fixing centers a×b×c	64.5×64×4.8 mm
Drill hole Ø	4.8×8.4 mm

Output

Output voltage	24 V AC (SELV)
Output rating	100 VA

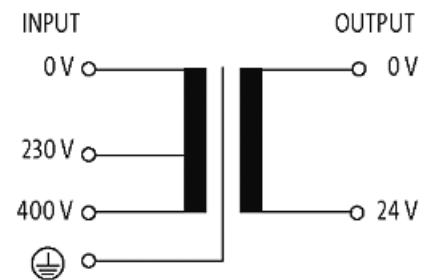
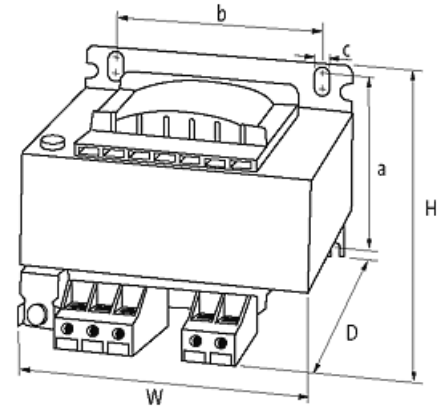
Input

Input voltage	230/400 V AC
Frequency	50...60 Hz
Input current	0.54 A (230 V AC); 0.31 A (400 V AC)
Inrush current	3.5 A (230 V AC); 2 A (400 V AC)
Short-circuit current	5 A (230 V AC); 2.98 A (400 V AC)

Commercial data

country of origin	CZ
customs tariff number	85043180

EAN	4048879078535
eClass	27031302
Packaging unit	1

Sketch

Product may differ from Image