

**MTS 1-PHASE SAFETY TRANSFORMER**

P: 250VA IN: 230/400VAC OUT: 24VAC

Single-phase safety transformer  
250 VA  
Isolation class T 40/B  
Other voltages on request.

[Link to Product](#)**Illustration**

Product may differ from Image

**Approvals****General data**

Standards	EN 61558-1, EN 61558-2-6, EN 62041 category 0
Test isolation voltage	4 kV (prim./sec.)
Mounting method	Long-hole mounting or DIN-rail mountable TH35 (EN 60715)
Temperature range	-20...+40 °C (storage temperature -40...+80 °C)
Dimensions H×W×D	102×96×108 mm
Fixing centers a×b×c	86.5×84×4.8 mm
Drill hole Ø	4.8×8.4 mm

**Output**

Output voltage	24 V AC (SELV)
Output rating	250 VA

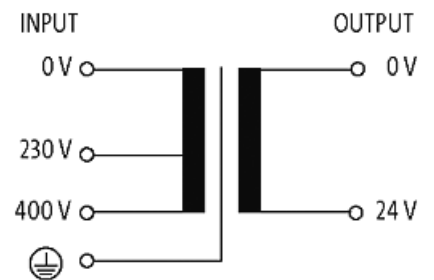
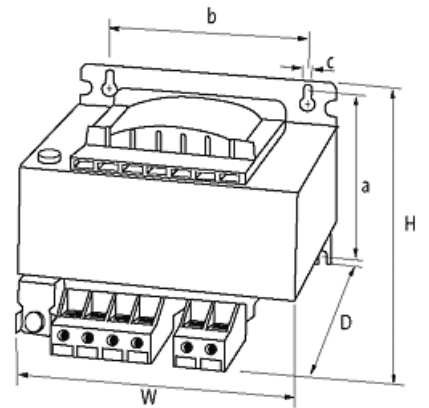
**Input**

Input voltage	230/400 V AC
Frequency	50...60 Hz
Input current	1.2 A (230 V AC); 0.69 A (400 V AC)
Inrush current	8.2 A (230 V AC); 4.74 A (400 V AC)
Short-circuit current	1.83 A (230 V AC); 1.02 A (400 V AC)

**Commercial data**

country of origin	CZ
customs tariff number	85043180

EAN	4048879078511
eClass	27031302
Packaging unit	1

**Sketch**

Product may differ from Image