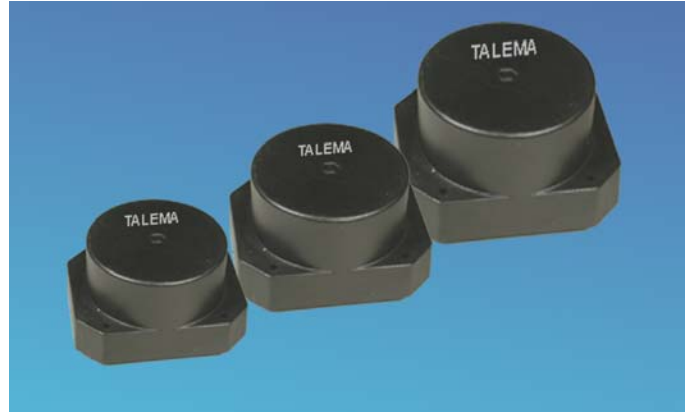


Toroidal PC Transformers • 35VA - 160VA
Features

- Dual 115V or 230V, 50/60Hz Primary
- Lower strayfield
- High efficiency
- Reduced standby current
- Small size and low weight
- Extremely low level of radiated magnetic field
- Very low induced noise (hum)
- Very low iron loss
- Test Voltage Primary - Secondary 4.0 KV
- 100% electrical and flash tested
- Ambient operating temp.: +40°C Max.
- Insulation system recognized for Class A (105°C) meets all requirements of Class E (120°C)
- Manufactured in an ISO 9001:2015 and ISO 14001:2015 certified Talema facility
- Fully RoHS & REACH Compliant


Standards

- High quality manufacturing and testing in accordance to EN61558, EN60065, EN60950, UL5085 & BS415


Standard Outputs (Electrical measurements @ 20°C ambient temperature)

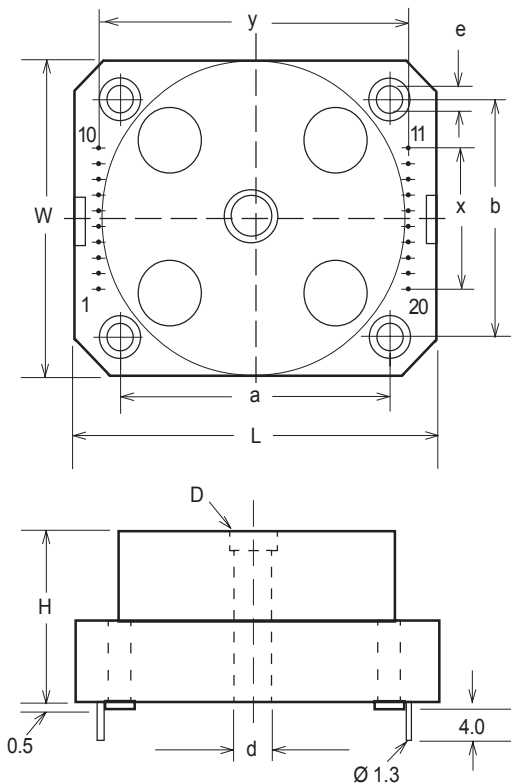
Power VA	Part Number		Secondary Full Load V	Efficiency %	Regulation Delta Volts/sec @ 20°C	Schematic Primary - Secondary
	115V	230V				
35	6400K	6500K	2 x 7	83	18.6	
	6401K	6501K	2 x 9			
	6402K	6502K	2 x 12			
	6403K	6503K	2 x 15			
	6404K	6504K	2 x 18			
	6505K	6505K	2 x 24			
	6506K	6506K	2 x 30			
50	6410K	6510K	2 x 7	85	15.2	
	6411K	6511K	2 x 9			
	6412K	6512K	2 x 12			
	6413K	6513K	2 x 15			
	6414K	6514K	2 x 18			
	6415K	6515K	2 x 24			
	6416K	6516K	2 x 30			
90	6420K	6520K	2 X 7	89	11.5	
	6421K	6521K	2 X 9			
	6422K	6522K	2 X 12			
	6423K	6523K	2 X 15			
	6424K	6524K	2 X 18			
	6425K	6525K	2 X 24			
	6426K	6526K	2 X 30			

Note: 160VA only - Secondary pin connection for 2 x 7V will be 15+16, 18+19 and 24+25, 27+28

Toroidal PC Transformers • 35VA - 160VA

Power VA	Part Number		Secondary Full Load V	Efficiency %	Regulation Delta Volts/sec @ 20°C	Schematic Primary - Secondary
	115V	230V				
110	6430K	6530K	2 X 7	87	10.1	
	6431K	6531K	2 X 9			
	6432K	6532K	2 X 12			
	6433K	6533K	2 X 15			
	6434K	6534K	2 X 18			
	6435K	6535K	2 X 24			
	6436K	6536K	2 X 30			
160	6440K	6540K	2 X 7	90	9.5	
	6441K	6541K	2 X 9			
	6442K	6542K	2 X 12			
	6443K	6543K	2 X 15			
	6444K	6544K	2 X 18			
	6445K	6545K	2 X 24			
	6446K	6546K	2 X 30			

Pin Side



Options

- Dual primaries & multiple secondaries with different voltage ratings
- Magnetic and/or electrostatic shielding
- Fuses
- Temperature switches

Power VA	Dimensions - 6400K & 6500K Series										Weight kg
	L ±0.3	W ±0.2	H ±0.2	x ±0.2	y ±0.2	a ±0.2	b ±0.2	d ±0.2	e ±0.2	D (SW - Hex) ±0.2	
35	80.0	63.1	43.3	5x 5	70	50	50	5.1	3.4	7	0.72
50	90.2	73.2	43.4	7x 5	80	60	60	5.1	3.4	7	0.72
90	100.0	83.5	43.4	9x 5	90	70	70	5.1	3.4	7	1.00
110	112.2	93.3	50.5	11x 5	100	80	80	6.1	3.4	10	1.35
160	120.3	103.3	55.5	13 x 5	110	90	90	6.1	3.4	10	1.80

Regional Locations - Design, Manufacturing, Sales & Marketing

Talema Group Regional Offices

North America

**United States
(Sales & Marketing)**

Talema Group, LLC
 PO Box 935
 900 Innovation Drive
 Suite 120, Rolla
 Missouri 65402
 Tel: +1 573-303-3675
 E-Mail:
sales@talemagroup.com
 Web: www.talema.com

Asia

**India
(Design, Manufacturing, Sales & Marketing)**

Administrative Office
Talema Electronic India Private Limited
 Door No. 221, 1st and 2nd Floor
 KJ Plaza, Opp.to Vidya Mandir School
 Meyanoor Main Road
 Salem - 636 004 Tamil Nadu INDIA
 Tel: +91 427 - 243 3100
 Fax: +91 427 - 243 3109
 E-Mail: talema@talemaindia.net
 Web: www.talema.com

Factory Premises
Talema Electronic India Private Limited
 Plot Nos. 30, 31 Electrical and Electronic
 Industrial Estate
 Suramangalam
 Salem - 636 005 Tamil Nadu INDIA
 Tel: +91 427 - 243 3000
 E-Mail: talema@talemaindia.net
 Web: www.talema.com

Europe

**Germany
(Design, Sales & Marketing)**

Talema Elektronik GmbH
 Sembdnerstr. 5
 82110 Germering
 Tel: +49 89 - 841 00 - 0
 Fax: +49 89 - 841 00 25
 E-Mail: info@talema.de
 Web: www.talema.com

**Ireland
(Design, Sales & Marketing)**

Nuvotem TEO
 Units W & X, Gweedore Business Park
 Derrybeg, Letterkenny, Co. Donegal
 Tel: +353 (0) 74 95 48666
 Fax: +353 (0) 74 95 48139
 E-Mail: info@nuvotem.com
 Web: www.nuvotem.com

**Czech Republic
(Design, Manufacturing, Sales & Marketing)**

NT Magnetics s.r.o.
 Chebská 27
 322 00 Plzeň
 Tel: +420 377 - 338 351
 Fax: +420 377 - 338 350
 E-Mail: talema@talema.cz
 Web: www.ntmagnetics.cz

Locations of Talema Group Regional Offices

