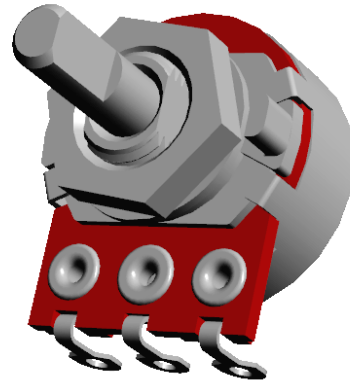


PR-16 series

Characteristic

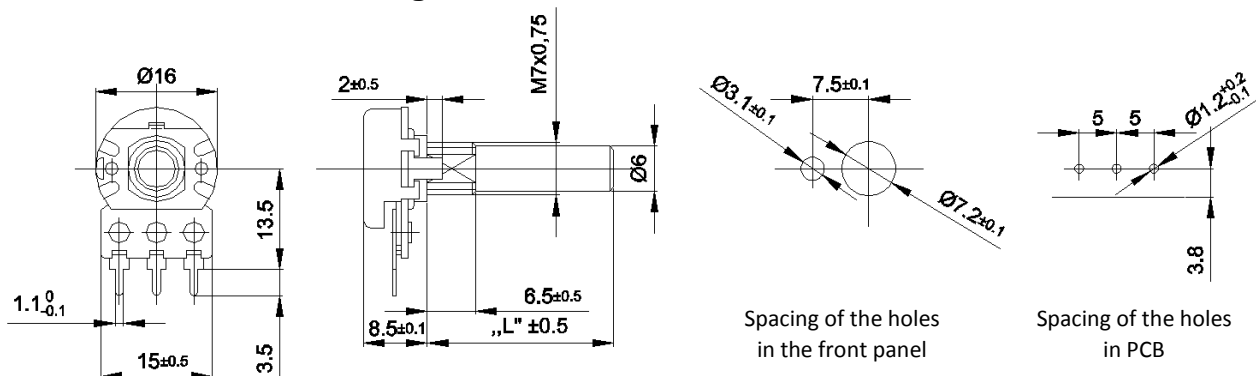
PR-16 series single turn potentiometers are enclosed in a metal housing, with carbon resistive element. Potentiometers have a linear characteristic of regulation, and are made in one of four versions, which differ in the type of terminals, for PCB and wire soldering. PR-16 series potentiometers may be equipped in a single, or multiple mechanical stop (1 or 41 positions). Potentiometers with 5% and 10% resistance tolerance are available on request.



<u>Parameter</u>	<u>Value</u>	
Nominal resistance	E3 series	
Range of available resistances	470Ω ... 2,2MΩ	
Resistance tolerance	R ≤ 220 kΩ	±20%
	R > 220 kΩ	±30%
Max. dissipation power (T = 40°C)	0,1 W	
Max. operating voltage	160 V	
Breakdown voltage	250 V	
Mechanical rotation angle	300° ±10°	
Climatic category	25/070/10	

Dimensions

PRP ... // version with straight terminals for PCB



TELPOD S.A.

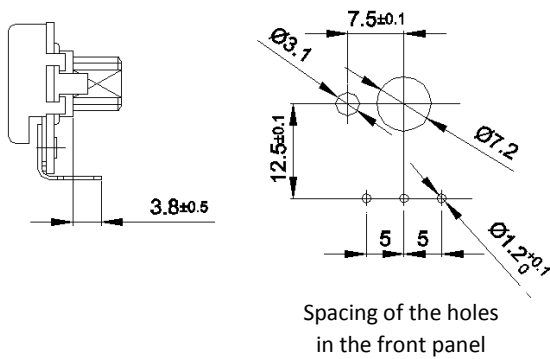
str. Pilsudskiego 63A
32-050 Skawina
www.telpod.pl

Technical division: +48 (0)12 257 10 12
Sales division: +48 (0)12 257 10 35
fax: +48 (0)12 257 10 13
e-mail: potentiometer@telpod.pl

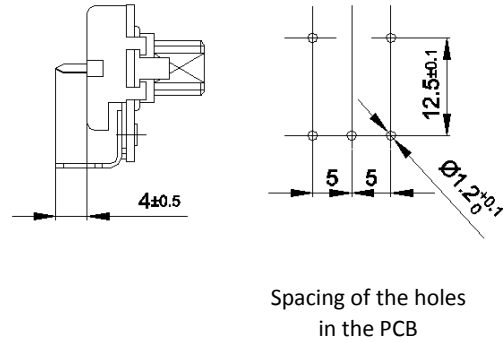
date: 04 / 2015
Copyright 2015 by Telpod

PR-16 series

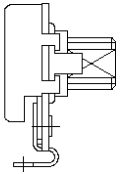
PRPC ... // version with terminals for PCB bent toward the shaft



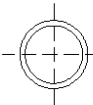
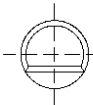
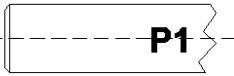
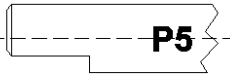
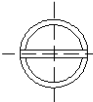
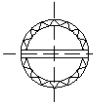
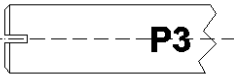
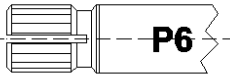
PRP...P // version with terminals for PCB bent toward the body



PR ... // version with ring terminals for wire soldering



Shaft types

Type	Length L [mm]		
P1	16; 20; 25; 32		
P3	7; 12,5		
P5	16; 20; 25; 32		
P6	16; 20; 25; 32		

TELPOD S.A.

str. Pilsudskiego 63A
32-050 Skawina
www.telpod.pl

Technical division: +48 (0)12 257 10 12
Sales division: +48 (0)12 257 10 35
fax: +48 (0)12 257 10 13
e-mail: potentiometer@telpod.pl

date: 04 / 2015
Copyright 2015 by Telpod