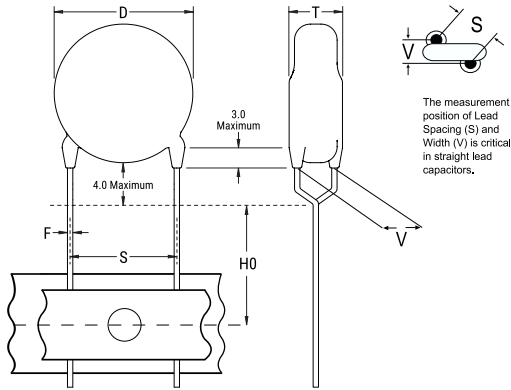


C900AC SFTY X1-400 Y2-250, Ceramic, 3300 pF, 20%, 400 VAC (X1), 250 VAC (Y2), Y5V, Lead Spacing = 7.5mm



Dimensions

| | |
|-----------|-----------------|
| D | 9mm MAX |
| T | 5mm MAX |
| S | 7.5mm +/-1mm |
| H0 | 18mm +2/-0mm |
| F | 0.55mm +/-0.1mm |

Packaging Specifications

| | |
|----------------------------|------|
| Packaging: | Ammo |
| Packaging Quantity: | 1000 |

General Information

| | |
|------------------------|---------------------------|
| Supplier: | KEMET |
| Series: | C900AC SFTY X1-400 Y2-250 |
| Style: | Radial Disc |
| RoHS: | Yes |
| Termination: | Tin |
| Failure Rate: | N/A |
| Qualifications: | UL, ENEC, VDE, CSA, CAN |
| Halogen Free: | Yes |

Specifications

| | |
|---|----------------------------|
| Capacitance: | 3300 pF |
| Capacitance Tolerance: | 20% |
| Voltage AC: | 400 VAC (X1), 250 VAC (Y2) |
| Dielectric Withstanding Voltage: | 2600 VDC |
| Temperature Range: | -40/+125C |
| Temperature Coefficient: | Y5V |
| Dissipation Factor: | 5.00% |
| Insulation Resistance: | 10 GOhms |
| Safety Class: | X1/Y2 |