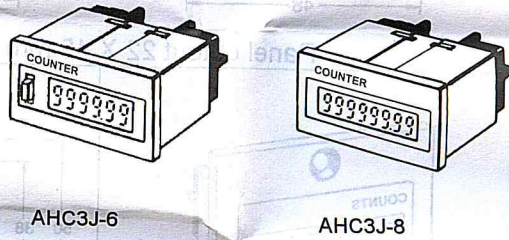


Totalizing Counter/

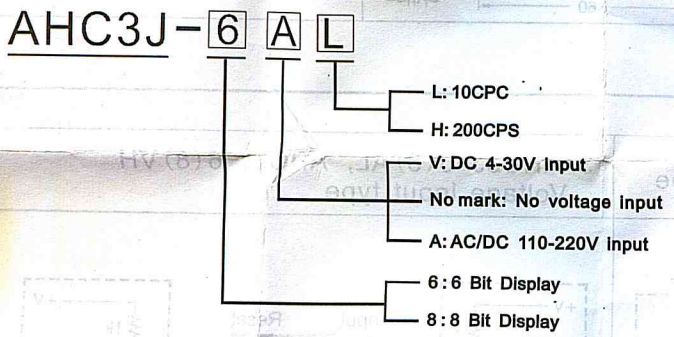
AHC3J **DIGITAL COUNTER** **AHC3J**

Subminiature Totalizing Counter Requires No External Power Supply

- DIN-sized 48x24mm
- Improved noise immunity
- Screw terminal types



ORDERING INFORMATION



SPECIFICATIONS

● Supply voltage:	Driven by built-in battery	● Display :	6.7mm LCD
● Input signal:	Relay or switch contact	● Weight:	Approx60g
	Transistor input	● Operating temperature:	-10~40°C
● Voltage Input signal:	L level:0~2V	● Reset system:	External reset and manual reset
	H level:DC4~30V (AHC3J-6V(A)/AHC3J-8V(A)/H)	● Reset signal	≥0.2 S
● Nonvoltage Input signal:	Short-circuit impedance:10K Ω max	● Humidity:	35%~85% RH
	Open impedance:500k Ω min	● Batter Life:	≥6 Years
	Short-circuit residual voltage 0.5v max		
● Maximun counting speed:	10cps (signal width > 50mS)		
	200cps (signal width > 2.5mS)		

NOTE:

This product contains a built-in battery. Do not attempt to replace or recharge the battery.