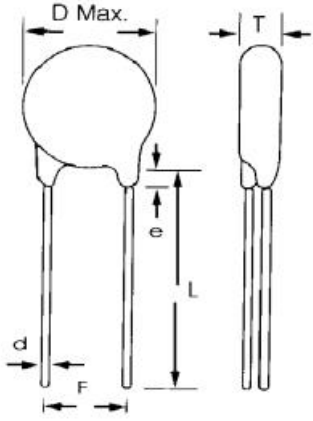
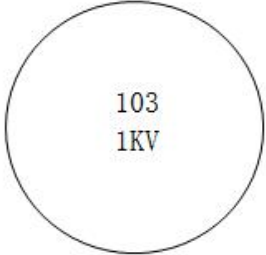


Type No.	CC1K-10N			Specification				RoHs			
Proof Voltage	2KV/DC	Mark	103 1KV	Climate Category			23°C	Tech Standard	ROHS		
Dimension (mm)	Dmax: $8.8 \pm 2$		Lmin: $20 \pm 2$		Tmax: $3.5 \pm 1.5$						
	F: $5 \pm 1.5$		$\Phi$ d: $0.45 \pm 10\%$		e: $3 \pm 1.5$						
Appearance Requirement											
Rated Capacitance and Tolerance			10nF $\pm$ 20%				Testing Voltage: 1.0 V				
Dissipation Factor(DF) Dissipation Coefficient(Q)			$\leq 2.5\%$				Testing Frequency: 1KHZ Temperature: $20^\circ\text{C} \pm 2^\circ\text{C}$				
Insulated Resistance(IR) (Between Two Leads)			$\geq 10,000\text{M}\Omega$				Charge Voltage: Charge time: less than 1 minutes				
Soldering Capacity			Dip Soldering: $235 \pm 5^\circ\text{C}$ , $2.0 \pm 0.5\text{S}$ , Depth of immersion: $1.5 \pm 0.2\text{mm}$ The soldering part can flow freely or flow in two minutes when the lead is wet. The soldering part should be more than 95%.								
Item	1	2	3	4	5	6	7	8	9	10	
Capacitance (PF)	11771	11803	10390	11582	11136	10147	11140	11016	11534	11520	
DF(Q Value)	0.73	0.77	0.79	0.74	0.75	0.78	0.67	0.76	0.81	0.80	
Proof voltage(KV)	2KV/DC	2KV/DC	2KV/DC	2KV/DC	2KV/DC	2KV/DC	2KV/DC	2KV/DC	2KV/DC	2KV/DC	
IR(M $\Omega$ )	10,000	10,000	10,000	10,000	10,000	10,000	10,000	10,000	10,000	10,000	
Testing				Date: 28-Mar-2019			Auditor:			Date: 29-Mar-2019	
Testing temperature: $23^\circ\text{C}$ Environment Relative Humidity: 60~70%					Testing Equipment: TH2617A & CS2671A						