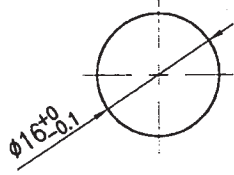
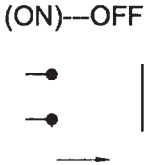
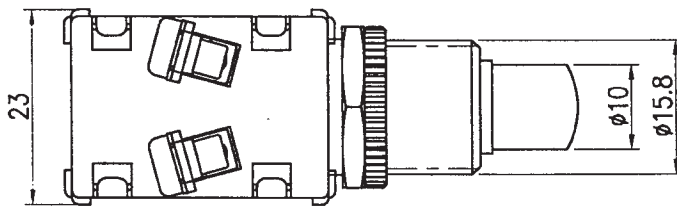
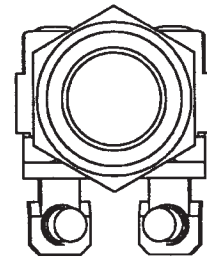
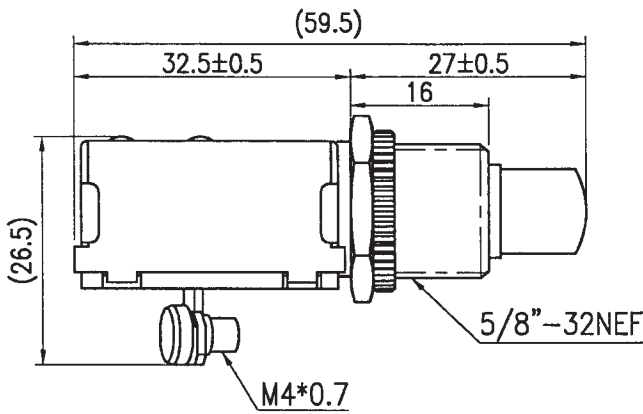
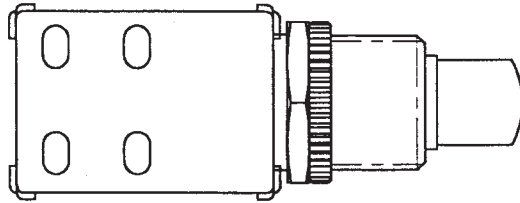


Rating	30A 12V DC		
Contact Resistance	50m ohm Max.		
Insulation Resistance	DC 500V 100M ohm Min.		
Dielectric Strength	AC 1500V 1 minute.		
Switch Function	2P OFF-(ON)		



Tolerances ± 0.3 Unless Otherwise Specified

								△
								△
Date	Name	Description					No.	
Drawn	Checked	Approved	SCI BOM No.	1120165	Model Name	PUSH SWITCH		
Ruby		<i>Simon</i>	Customer No.		Model No.	A3-27A-07	Rev.	
7/14/15		7/14-'15	Unit	mm	Shin Chin Industrial Co., Ltd.		0	